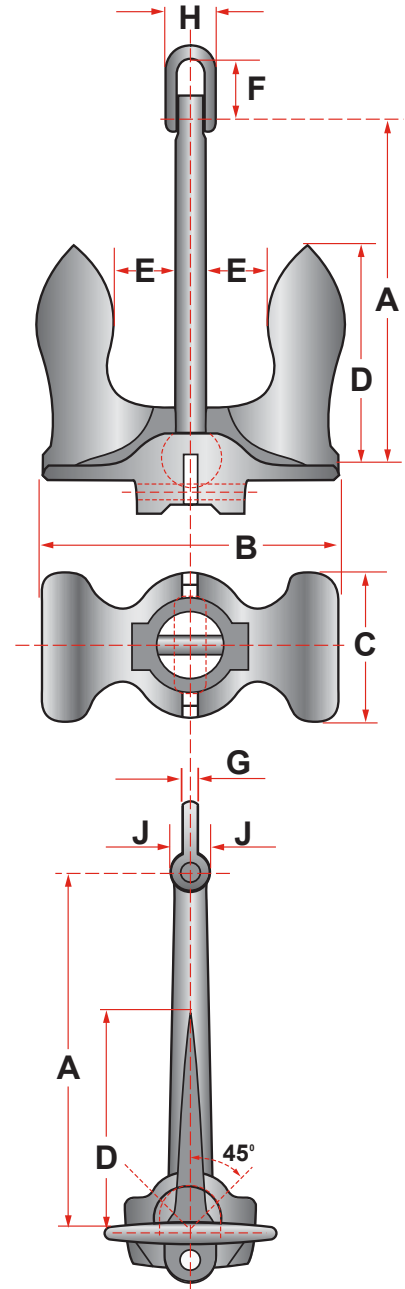




ANCHORS

STANDARD STOCKLESS ANCHOR

| ANCHOR WT | A | B | C | D | E | F | G | H | J | PROOF TEST |
|-----------|--------|--------|----------|--------|---------|-------|-------|--------|--------|------------|
| 200 | 27 | 18 | 9-1/2 | 15-1/8 | 5-1/8 | 5-1/2 | 1 | 5 | 4 | 8300 |
| 300 | 32 | 23-1/4 | 11-11/16 | 17-1/4 | 6-11/16 | 5-1/2 | 1 | 5 | 4-1/2 | 10900 |
| 400 | 32 | 25-3/4 | 13 | 19 | 7 | 5-1/2 | 1 | 5 | 4-1/2 | 13000 |
| 500 | 35 | 26-1/2 | 14 | 20 | 7 | 7 | 1-1/4 | 6 | 5-1/2 | 15000 |
| 700 | 38 | 29-1/2 | 15-5/8 | 23-1/2 | 8-1/8 | 7 | 1-1/4 | 6 | 5-3/4 | 19600 |
| 775 | 38 | 32 | 16-7/8 | 24-3/4 | 8-5/8 | 7 | 1-1/4 | 6 | 5-3/4 | 20050 |
| 900 | 42 | 32 | 17 | 24 | 9 | 7-1/2 | 1-1/2 | 6-1/2 | 6-1/2 | 22300 |
| 1000 | 42 | 33-5/8 | 18 | 25-1/8 | 9-3/4 | 7-1/2 | 1-1/2 | 6-1/2 | 6-1/2 | 24100 |
| 1260 | 46 | 36-3/8 | 18-3/4 | 28-3/8 | 9-7/8 | 8-1/2 | 1-3/4 | 7-1/2 | 6-3/4 | 28800 |
| 1430 | 49 | 39 | 20 | 29-7/8 | 10-3/4 | 9-3/4 | 2 | 8-1/2 | 7 | 31700 |
| 1540 | 49 | 40 | 20-1/2 | 30-1/2 | 11 | 9-3/4 | 2 | 8-1/2 | 7 | 33600 |
| 1600 | 49 | 40 | 20-1/2 | 30-1/2 | 11 | 9-3/4 | 2 | 8-1/2 | 7 | 34600 |
| 1750 | 52 | 41-1/2 | 21 | 33-1/4 | 11-3/8 | 9-3/4 | 2 | 8-1/2 | 7-1/4 | 37200 |
| 1875 | 52 | 43 | 22 | 34-3/4 | 12 | 9-3/4 | 2 | 8-1/2 | 7-1/4 | 39300 |
| 1950 | 52 | 43 | 22 | 34-3/4 | 12 | 9-3/4 | 2 | 8-1/2 | 7-1/4 | 40600 |
| 2000 | 58 | 44-3/4 | 23 | 33-3/8 | 12-1/8 | 9-3/4 | 2 | 8-1/2 | 7-1/2 | 43100 |
| 2500 | 58 | 44-3/4 | 23-1/4 | 33-3/8 | 12-1/8 | 9-3/4 | 2 | 8-1/2 | 7-1/2 | 49700 |
| 2800 | 58 | 48 | 25 | 35-7/8 | 13 | 9-3/4 | 2 | 8-1/2 | 7-1/2 | 54500 |
| 3000 | 64 | 47 | 25-1/2 | 36 | 12-3/4 | 12 | 2-1/2 | 10 | 8-3/4 | 57700 |
| 3500 | 64 | 52-3/4 | 27-1/2 | 39-1/2 | 14-1/4 | 12 | 2-1/2 | 10 | 8-3/4 | 65200 |
| 4000 | 70-5/8 | 53-1/4 | 27-1/2 | 39-1/4 | 14-1/2 | 12 | 2-1/2 | 10 | 9-1/2 | 72600 |
| 4500 | 70-5/8 | 56-3/4 | 29 | 42 | 15 | 12 | 2-1/2 | 10 | 9-1/2 | 79700 |
| 5000 | 76 | 57-1/2 | 30 | 42 | 15-5/8 | 15 | 3 | 12 | 10-1/4 | 86500 |
| 6000 | 76 | 63-1/2 | 33-1/4 | 47 | 17-1/4 | 15 | 3 | 12 | 10-1/4 | 99100 |
| 6300 | 76 | 63-1/2 | 33-1/4 | 47 | 17-1/4 | 15 | 3 | 12 | 10-1/4 | 102500 |
| 6500 | 82 | 63-1/2 | 33 | 47-5/8 | 17-1/4 | 15 | 3 | 12 | 10-3/4 | 105000 |
| 6750 | 82 | 65 | 33-3/4 | 48-3/4 | 17-5/8 | 15 | 3 | 12 | 10-3/4 | 108000 |
| 7000 | 82 | 66-5/8 | 34-3/4 | 49-3/4 | 18 | 15 | 3 | 12 | 10-3/4 | 110500 |
| 7600 | 82 | 67-1/2 | 34-3/4 | 49-3/4 | 18-3/8 | 15 | 3 | 12 | 10-3/4 | 117000 |
| 8100 | 93-1/2 | 66-1/4 | 34-1/4 | 48-7/8 | 18-1/4 | 17 | 3-1/2 | 13-1/4 | 11-1/2 | 122500 |
| 8600 | 93-1/2 | 68-1/2 | 35-3/4 | 50-1/2 | 18-1/2 | 17 | 3-1/2 | 13-1/4 | 11-1/2 | 127500 |
| 9000 | 96 | 70-1/4 | 36-3/8 | 51-3/4 | 19-1/8 | 17 | 3-1/2 | 13-1/4 | 11-1/2 | 131500 |
| 10000 | 96 | 75-1/2 | 39 | 58 | 21 | 19 | 4 | 14-3/4 | 12 | 140500 |
| 11000 | 96 | 75-1/2 | 39 | 58 | 21 | 19 | 4 | 14-3/4 | 12 | 148500 |
| 12000 | 96 | 76-3/4 | 40 | 58 | 20-3/4 | 19 | 4 | 14-3/4 | 12 | 156000 |
| 13000 | 98 | 76-3/4 | 40 | 58 | 20-3/4 | 19 | 4 | 14-3/4 | 12 | 163500 |
| 14000 | 103 | 80-1/2 | 44 | 60 | 22-1/4 | 19 | 4 | 14-3/4 | 13 | 170500 |
| 15000 | 103 | 86 | 46 | 65 | 24 | 19 | 4 | 14-3/4 | 13 | 177000 |
| 16000 | 108 | 86 | 46 | 65 | 24 | 19 | 4 | 14-3/4 | 13 | 185000 |
| 18000 | 112 | 88-1/4 | 48-1/4 | 65-5/8 | 24-3/4 | 22 | 4-1/2 | 16-3/4 | 13 | 200000 |
| 18900 | 112 | 88-1/4 | 48-1/4 | 65-5/8 | 24-3/4 | 22 | 4-1/2 | 16-3/4 | 13 | 207200 |
| 20000 | 112 | 96 | 50 | 72 | 26 | 22 | 4-1/2 | 16-3/4 | 14 | 214000 |
| 25000 | 120 | 103 | 53-3/4 | 77-1/2 | 28 | 22 | 4-1/2 | 16-3/4 | 15 | 243000 |
| 30000 | 128 | 110 | 57-1/4 | 82-1/2 | 29-7/8 | 24 | 5 | 18-3/4 | 16 | 266000 |
| 35000 | 135 | 116 | 60 | 87 | 31-1/2 | 25 | 5 | 19 | 17 | 292000 |
| 40000 | 140 | 121 | 63 | 91 | 32 | 26 | 5-1/2 | 20 | 17-1/2 | 320000 |
| 45000 | 147 | 126 | 65 | 94 | 34 | 27 | 5-1/2 | 21 | 18 | 345500 |
| 50000 | 152 | 131 | 68 | 99 | 35 | 28 | 6 | 21-1/2 | 19 | 371000 |



All specifications in pounds and inches. Intermediate sizes may be furnished on request.



P. O. Box 596 (90748) • 910 Mahar Ave., Wilmington, CA 90744
 (800) 322-3131 • (310) 522-9698 • Fax: (310) 522-1043
 E-Mail: sales@watermansupply.com
 www.watermansupply.com
 TradeNet ID 61935