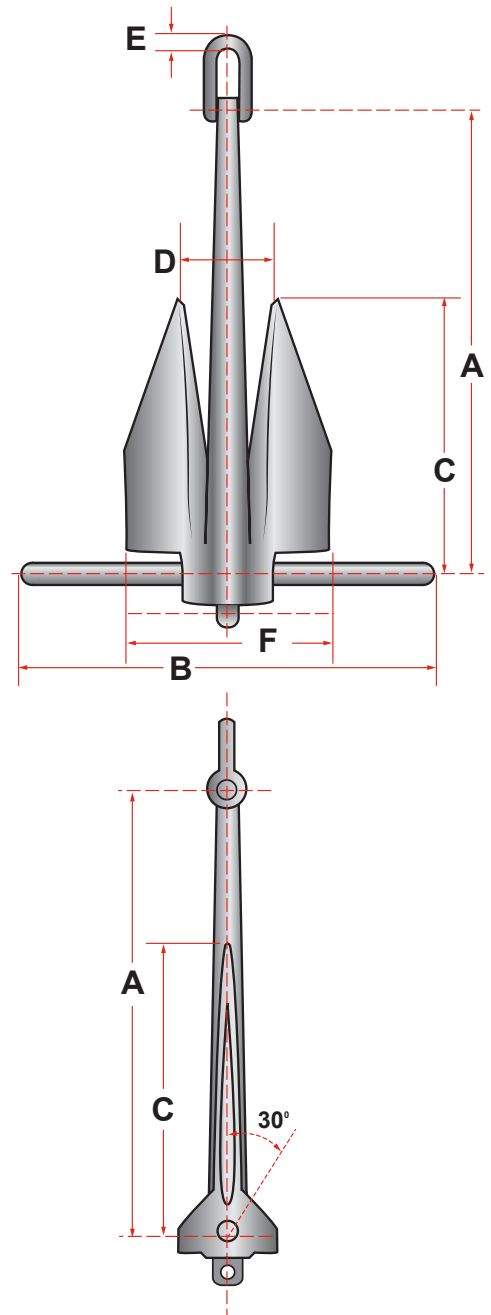




ANCHORS

WORKBOAT ANCHOR

ANCHOR WEIGHT	A	B	C	D	E	F	PROOF TEST
25	31-3/4	27-3/8	19-3/8	3-7/16	3/8	11-5/8	1600
50	40	34-3/8	24-3/8	4-3/8	7/16	14-5/8	2900
75	45-3/4	39-1/2	27-7/8	5	1/2	16-13/16	5000
100	47-1/2	41-1/8	28-5/16	5-1/4	3/4	17-1/2	5972
150	49	42-1/2	29-7/8	5-5/8	3/4	18-7/8	8300
200	52-1/2	45-1/2	33	6-1/8	7/8	20-1/2	10100
300	56	48-1/2	35-1/4	13-1/2	1-1/8	23-1/4	13000
400	58	50	39-9/16	13-7/8	1-1/8	24-1/8	15600
500	63	54-1/2	39-3/4	15-1/8	1-1/2	26-1/4	18100
750	67-1/2	58-1/2	42-1/2	16-1/2	1-1/2	28-1/4	24100
1000	72	62	45-3/8	18-3/4	2	30	30000
1500	77	70-7/8	48-1/2	19-3/8	2	32	41400
2000	83	71-3/4	52	22-5/8	2-1/2	35-3/4	52300
2500	89	84-1/2	56	13-7/8	2-1/2	36-1/2	62270
3000	94	89	59	14-3/8	3	38-7/8	72500
3500	99	94	62-1/2	15-1/8	3	45-3/8	81800
4000	104	98-3/4	65-1/2	15-3/8	3	41-1/4	90700
5000	112	106-1/2	70-1/2	18	3-3/8	45-1/4	107000
6000	118	112	74	18-5/8	3-3/4	47-1/2	121300
8000	129	122-1/2	77-3/8	20-1/4	4-1/8	52-1/16	145600
10000	138	131	87	21-7/8	4-1/2	55-7/8	165600
12000	145	145	91	23	4-3/4	58-3/4	184700
14000	152	152	95-3/4	24	5	61-5/8	205000
16000	160	160	101	25-1/4	5-1/4	64-7/8	222700
20000	172	163	108-3/8	27-1/4	5-5/8	69-1/2	249400
30000	197	187	112	31-1/4	6-1/2	80-1/2	319400



All specifications in pounds and inches.
Intermediate sizes may be furnished on request.



P. O. Box 596 (90748) • 910 Mahar Ave., Wilmington, CA 90744
 (800) 322-3131 • (310) 522-9698 • Fax: (310) 522-1043
 E-Mail: sales@watermansupply.com
 www.watermansupply.com
 TradeNet ID 61935