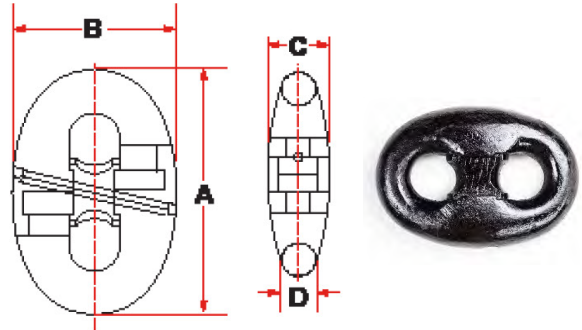


SWIVEL



KENTER JOINING SHACKLE

**SWIVEL**

CHAIN SIZE		A (MM)	B (MM)	C (MM)	D (MM)	E (MM)	F (MM)	G (MM)	L (MM)	WEIGHT (*)		PROOF TEST KGF	BREAK TEST KGF
MM	INCHES									KG	LBS		
13-16	1/2 - 5/8	137	62	62	20	52	12	16	240	1.35	3	15100	21600
17-19	11/16 - 3/4	173	76	76	27	66	19	19	290	2.25	5	21600	30900
21-22	13/16 - 7/8	198	90	90	30	75	22	22	335	3.20	7	29300	41700
24-29	15/16 - 1-1/8	258	102	102	44	94	25	25	445	6.5	14	49200	70400
30-35	1-3/16 - 1-3/8	290	160	124	116	46	25	36	499	21.0	46.3	70700	101300
36-42	1-7/16 - 1-5/8	373	202	146	145	63	32	46	622	39.5	87.1	102000	143400
43-48	1-11/16 - 1-7/8	430	230	165	183	73	36	50	709	66.0	145.5	130000	185100
49-58	1-15/16 - 2-1/4	516	278	200	212	84	39	65	851	104.0	229.3	185400	265000
59-67	2-5/16 - 2-5/8	575	307	230	235	93	46	68	972	142.0	313.1	242900	347000
68-73	2-11/16 - 2-7/8	650	345	260	256	102	50	79	1078	208.0	458.6	285000	407000
75-79	2-15/16 - 3-1/8	757	370	325	281	109	52	94	1209	276.0	608.5	332100	474500
81-86	3-3/16 - 3-3/8	760	420	372	310	122	57	95	1260	336.0	740.8	384400	549100
87-92	3-7/16 - 3-5/8	800	430	390	320	130	60	98	1343	376.0	828.9	434800	621200
94-98	3-11/16 - 3-7/8	882	460	433	354	142	66	118	1442	557.0	1228.0	490000	700000
100-102	3-15/16 - 4	918	480	448	368	148	69	122	1502	612.0	1349.0	522100	746000
105-111	4-1/8 - 4-3/8	1000	530	478	400	160	74	133	1635	797.0	1757.0	607000	867200
114	4-1/2	1026	542	490	417	165	76	137	1675	871.0	1920.0	637300	910900

\*Weight of assembly (swivel and 2 common links).  
To convert to lbs., multiply by 2.2046

**KENTER JOINING SHACKLE**

NOMINAL DIAMETER D		A (MM)	B (MM)	C (MM)	WEIGHT		PROOF TEST KGF	BREAK TEST KGF
MM	INCHES				KG	LBS.		
16	5/8	96	67	24	0.57	1.25	15100	21600
19	3/4	120	84	30.5	1.09	2.40	21600	30900
22	7/8	134	93	33	1.75	3.8	29300	41700
24	15/16	144	101	36	2.1	4.6	34000	48500
25	1	152	107	38	2.5	4.8	38000	54300
29	1-1/8	174	122	44	4.8	10.5	49200	70400
32	1-1/4	192	134	49	5.0	11.0	59500	84900
34	1-3/8	210	146	54	6.5	14.3	70400	100900
36	1-7/16	216	151	55	8.0	17.6	76700	109400
38	1-1/2	228	160	58	9.0	19.8	83300	118900
42	1-5/8	252	176	64	12.0	26.5	102000	143400
44	1-3/4	264	185	67	14.0	30.9	111900	159900
46	1-13/16	276	193	70	15.0	33.1	119800	171100
48	1-7/8	288	202	73	18.0	39.7	130000	185100
51	2	306	214	78	21.0	46.3	145400	207700
54	2-1/8	324	227	82	24.0	52.9	162000	231500
56	2-3/16	336	235	85	26.0	57.3	174000	248000
58	2-1/4	348	244	88	31.0	68.3	185400	265000
60	2-3/8	360	252	91	34.0	75.0	199600	285200
62	2-7/16	372	260	94	36.0	79.4	210000	300000
64	2-1/2	384	269	97	38.0	83.8	223000	319000
67	2-5/8	402	281	102	41.0	90.4	242900	347000
70	2-3/4	420	294	106	52.4	115.7	263500	376400
73	2-7/8	438	307	111	60.0	132.3	285000	407000
76	3	456	319	116	70.0	154.3	308200	440200
78	3-1/16	468	328	119	71.0	156.5	322000	459000
84	3-5/16	504	353	128	92.0	202.8	369300	527600
87	3-7/16	522	365	132	103.0	227.1	395100	564300
89	3-1/2	534	374	135	113.0	249.1	409000	584300
92	3-5/8	552	386	140	115.0	253.5	434800	621200
95	3-3/4	570	399	144	132.0	291.0	462300	660100
102	4	612	428	155	163.0	359.4	522100	746000
108	4-1/4	648	454	164	196.0	432.1	577000	825000
111	4-3/8	666	466	169	213.0	469.6	607000	867200
114	4-1/2	684	479	173	233.0	513.7	637300	910900

To convert to lbs., multiply by 2.2046



**ACSA PRODUCTS**

**Chain • Anchors  
Hardware • Fittings**

Distributed in the U.S. by:  
**Waterman Supply Co., Inc.**  
910 Mahar Ave., Wilmington, CA 90744  
P. O. Box 596, Wilmington, CA 90748  
(800) 322-3131 • (310) 522-9698  
Fax: (310) 522-1043 • www.watermansupply.com  
E-Mail: sales@watermansupply.com