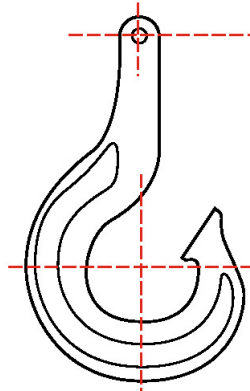
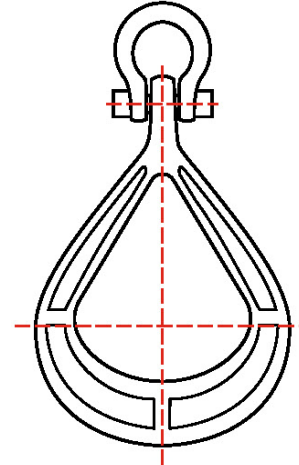


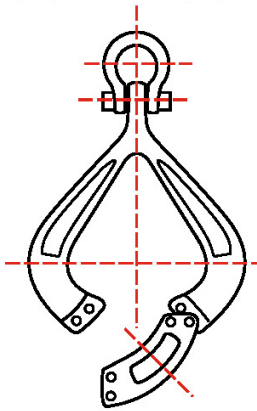
FOUR-PRONG GRAPNEL



J-TYPE CHAIN CHASER



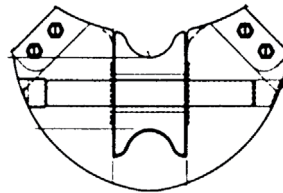
PERMANENT CHAIN CHASER



DETACHABLE CHAIN CHASER



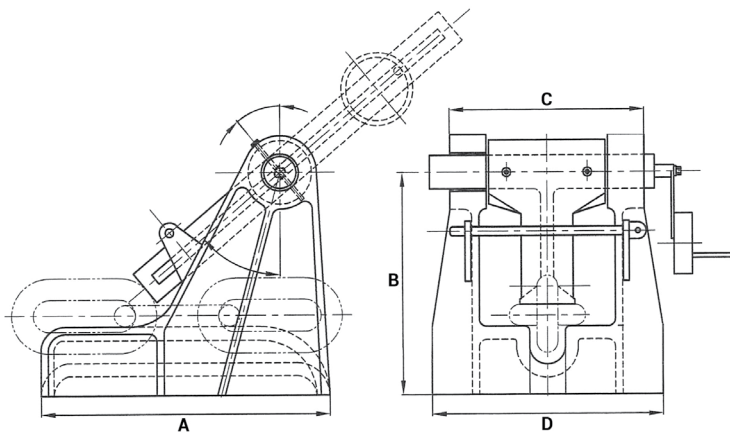
BEARING BLOCK



ROLLER BLOCK

Used in the recovery of anchors and mooring lines, J-type chain chasers, permanent chain chasers, detachable permanent chain chasers, and grapnels are manufactured as one-piece units from special cast steel which is annealed for maximum unit strength.

JIS F-2031 CHAIN STOPPER – PAWL TYPE



| Nominal No. | Nominal Dia. Of Anchor Chain | Dimensions (MM) | | | | Weight (Kg.) |
|-------------|------------------------------|-----------------|------|-----|------|--------------|
| | | A | B | C | D | |
| 42 | 36-42 | 530 | 494 | 357 | 422 | 210 |
| 46 | 42-46 | 620 | 538 | 404 | 480 | 396 |
| 51 | 48-51 | 680 | 599 | 438 | 520 | 429 |
| 56 | 52-56 | 730 | 638 | 472 | 560 | 465 |
| 60 | 58-60 | 780 | 670 | 506 | 600 | 480 |
| 64 | 62-64 | 835 | 710 | 538 | 630 | 500 |
| 68 | 66-68 | 885 | 750 | 568 | 660 | 567 |
| 73 | 70-73 | 950 | 801 | 604 | 700 | 682 |
| 78 | 76-78 | 1015 | 852 | 641 | 750 | 818 |
| 84 | 81-84 | 1095 | 911 | 686 | 800 | 1030 |
| 90 | 87-90 | 1170 | 969 | 732 | 850 | 1220 |
| 95 | 92-95 | 1235 | 1021 | 768 | 900 | 1420 |
| 102 | 97, 100, 102 | 1350 | 1090 | 816 | 950 | 1830 |
| 107 | 105-107 | 1400 | 1148 | 857 | 1000 | 2130 |
| 114 | 111-114 | 1480 | 1207 | 902 | 1050 | 2410 |
| 122 | 117-122 | 1585 | 1280 | 956 | 1120 | 2900 |