

SEA-LINK PRODUCTS

**CARGO HOIST BLOCKS**



Cargo Block with Oblong Eye



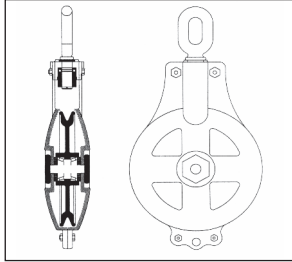
Oblong Eye & Upset Anchor Shackle



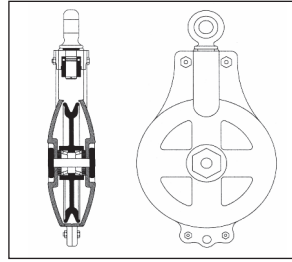
Drilled Swivel Eye & Chain Shackle



Cargo Block with Drilled Swivel Eye



Cargo Block with Oblong Eye



Cargo Block with Swivel Eye

	Size		Model No.	Sheave Size		Rope Diameter		Center Pin Size		Weight		Working Load Limit	
	in.	mm		in.	mm	in.	mm	in.	mm	lbs.	kg	US Tons	kg
WITH DRILLED SWIVEL EYE	12	305	SL561R-12DS	12	305	5/8 - 3/4	16-19	1.2	30	95	43.2	5	4540
	14	356	SL561R-14DS	14	356	3/4 - 1	19-26	1.4	35	100	45.4	10	9080
	16	406	SL561R-16DS	16	406	1	26	1.6	40	130	59.0	10	9080
WITH OBLONG EYE	12	305	SL561R-12OS	12	305	5/8 - 3/4	16-19	1.2	30	95	43.2	5	4540
	14	356	SL561R-14OS	14	356	3/4 - 1	19-26	1.4	35	100	45.4	10	9080
	16	406	SL561R-16OS	16	406	1	26	1.6	40	130	59.0	10	9080

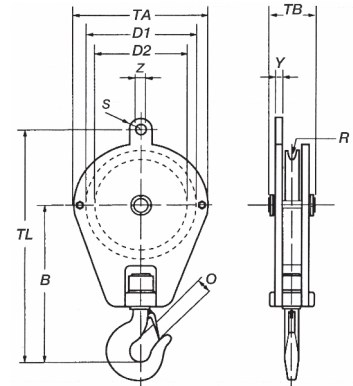
FULL ABS CERTIFICATE INCLUDED WITH EACH CARGO HOIST BLOCK

**SINGLE SHEAVE CRANE BLOCKS**



Model No.	Working Load Limit (US Tons)	Wire (Inches)	Dimensions (Inches)											Wt. (lbs.)
			D1	D2	B	O	R	S	TA	TB	TL	Y	Z	
VM.225.13.1.5	5.5	1/2	10.2	8.7	13.8	1.4	0.26	1.1	13.0	4.3	20.1	0.8	0.98	170
VM.225.14.1.8	8.8	1/2 - 9/16	10.2	8.6	15.4	1.6	0.30	1.3	13.0	4.7	22.1	1.1	1.22	190
VM.225.14.1.10	11	1/2 - 9/16	10.2	8.4	16.7	2.1	0.30	1.3	13.0	5.1	23.4	1.1	1.22	220
VM.260.16.1.8	8.8	5/8	11.8	9.9	16.5	1.6	0.33	1.3	14.6	4.3	24.0	1.1	1.22	210
VM.260.16.1.10	11	5/8	11.8	9.9	17.9	2.1	0.33	1.3	14.6	4.7	25.2	1.1	1.22	230

Model No.	Working Load Limit (M Tons)	Wire (mm)	Dimensions (mm)										Wt. (kg)	
			D1	D2	B	O	R	S	TA	TB	TL	Y		Z
VM.225.13.1.5	5	13	260	221	347.5	34	6.5	27	330	110	510	20	25	75
VM.225.14.1.8	8	14	260	218	390	41	7.5	32	330	120	560	27	31	85
VM.225.14.1.10	10	14	260	212	425	52	7.5	32	330	130	595	27	31	100
VM.260.16.1.8	8	16	300	252	420	41	8.5	32	370	110	610	27	31	95
VM.260.16.1.10	10	16	300	252	455	52	8.5	32	370	120	640	27	31	105



DO NOT EXCEED WORKING LOAD LIMITS

**Associated Wire Rope & Rigging, Inc.**  
 8125 Saran Avenue  
 Playa del Rey, CA 90293  
 Tel: 310-448-5444 or 800-901-1135  
 Fax: 310-448-5446  
 sales@awrrinc.com



AVAILABLE TO MEET  
 U.S. FEDERAL SPECIFICATIONS

**Waterman Supply Co., Inc.**  
 P.O. Box 596  
 Wilmington, CA 90748-3131  
 Tel: 310-522-9698 or 800-322-3131  
 Fax: 310-522-1043  
 sales@watermansupply.com