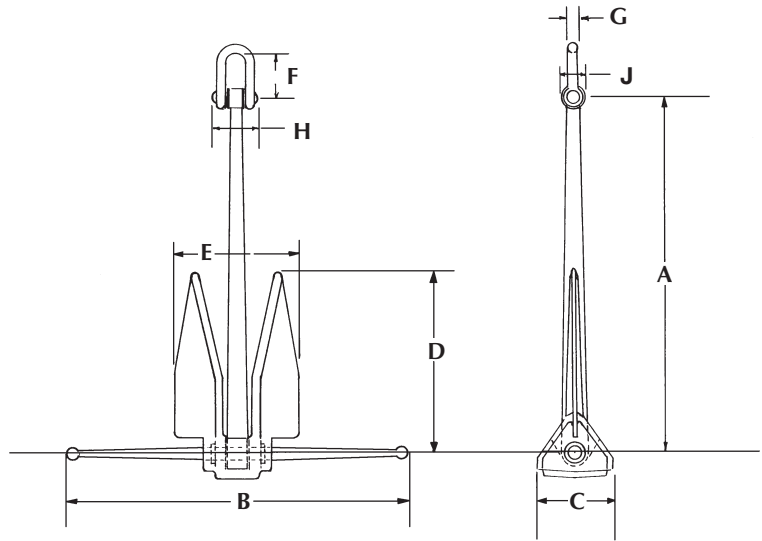
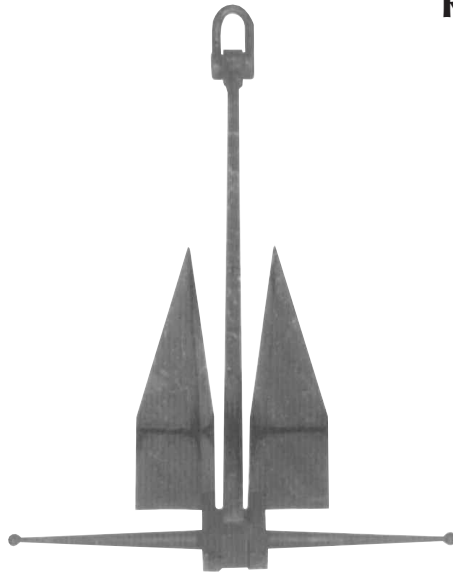


WASHINGTON CHAIN & SUPPLY, INC.

**R.W.T. ANCHOR**



Anchor Weight	A	B	C	D	E	F	G	H	J	Proof Test Pounds
8	20	19	5-5/16	11-1/2	7-1/4	1-11/16	3/8	1-1/2	1	300
16	25	23-3/4	7	14-1/2	9	2-1/8	1/2	1-7/8	1-1/4	560
30	30-3/4	28-3/4	8-3/4	17-1/2	11-3/8	2-1/8	1/2	1-7/8	1-3/8	1,000
50	34-3/4	33	9-15/16	20	12-7/8	2-7/8	5/8	2-3/8	1-5/8	1,500
75	38	36	11	22	14-3/8	3-1/2	3/4	2-1/2	2	2,070
100	41-1/2	39-1/2	12-3/16	24	15-5/8	3-3/4	7/8	3-3/8	2-1/4	2,600
150	46-3/4	44-1/2	13-11/16	27	17-3/8	5-1/2	1	4	2-3/8	4,200
200	47-1/2	45	14-3/16	29	18-7/8	5-1/2	1	4	3-1/8	5,200
250	47-1/2	45	14-9/16	29	18-7/8	5-1/2	1	4	3-1/8	6,275
300	53	50	16-1/8	32-1/2	21-1/4	7	1-1/4	5	3-1/4	7,355
350	53	50	16-11/16	32-1/2	21-1/4	7	1-1/4	5	3-1/4	8,325
400	57-1/2	54-1/4	17-3/4	35-1/4	23	7	1-1/4	5	3-1/2	9,300
450	60	56-1/2	18-3/8	36-3/4	24	7	1-1/4	5	3-3/4	10,275
500	61-1/2	58-1/2	19	37-1/2	24	7-1/2	1-1/2	6	4-1/4	11,250
750	69	64-1/2	21-1/8	42	28-7/16	7-1/2	1-1/2	6	4-7/8	15,500
1,000	75	71	24-1/2	46	29-1/4	9-3/4	2	8	5-1/4	18,800
2,000	92-1/2	85	30	56-1/2	37-1/4	12	2	9-1/2	7	32,500
3,000	108-1/2	104	34-3/4	66	40-3/8	15	3	11	7-3/4	45,000
4,000	116	110	37-1/2	71	44	15	3	11	9	57,500
5,000	118	112	38-3/4	72	44-3/4	17	3-1/2	12-1/2	9-1/2	69,500
6,000	124	118	41	76	47-3/4	19	4	14	10-1/4	81,500
7,000	124	118	41	76	47-3/4	19	4	14	10-1/4	92,375
8,000	128	121	43-1/2	78	50-1/4	19	4	14	12	103,250
9,000	133	126	45-1/4	81-1/8	52-1/4	19	4	14	12-1/2	114,125
10,000	144	137	49	88	55-1/4	22	4-1/2	16	13	125,000
11,000	144	137	49	88	55-1/4	22	4-1/2	16	13	135,660
12,000	146	138-1/2	49-3/4	89-1/8	57-3/8	22	4-1/2	16	13-3/4	147,335
13,000	154	146	52-1/2	94	60-1/2	24	5	17-1/2	14-1/2	157,900
14,000	154	146	52-1/2	94	60-1/2	24	5	17-1/2	14-1/2	163,000
15,000	157	149-1/4	53-5/8	96	61-7/8	24	5	17-1/2	14-7/8	170,000
16,000	161	152-1/2	54-7/8	98-1/4	63-1/4	24	5	17-1/2	15-1/8	176,000
17,000	164	155-1/2	56	100	64-1/2	24	5	17-1/2	15-1/2	183,000
18,000	167	158-1/2	57	102	65-5/8	24	5	17-1/2	15-3/4	189,000
19,000	170-1/8	161-3/8	58	104	66-3/4	25	5-1/2	20	16	195,500
20,000	173	164	59	106	68	25	5-1/2	20	16-3/8	220,000
25,000	195	186	67	119	75	30	6	22	18	220,000
30,000	208	198	71	127	80	32	6	23	19	220,000



**WASHINGTON CHAIN & SUPPLY, INC.**

P.O. Box 3645 • 2901 Utah Avenue South • Seattle, WA 98124

Tel: 800-851-3429 • Fax: 206-621-9834 • E-mail: info@wachain.com

Visit our web site for more information: [www.wachain.com](http://www.wachain.com)

