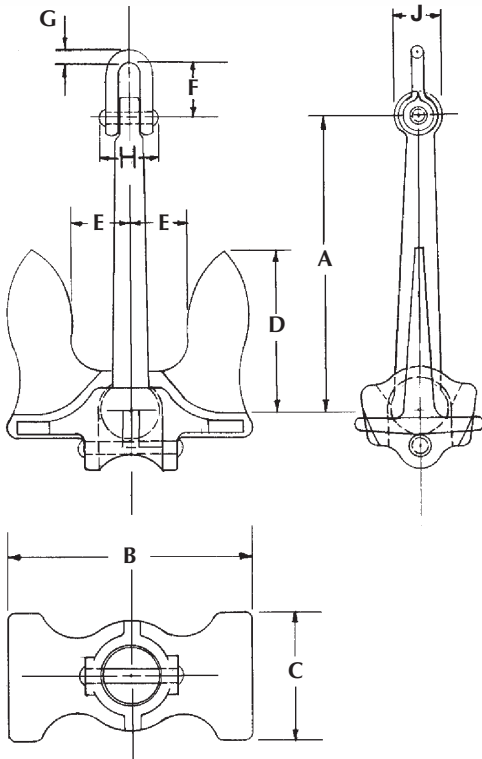


WASHINGTON CHAIN & SUPPLY, INC.

STOCKLESS ANCHOR



Anchor Weight	Head No.	Shank No.	A	B	C	D	E	F	G	H	J	Proof Test
200	2	2	27	18	9-1/2	15-1/8	5-1/8	5-1/2	1	5	4	8,300
300	4	3	32	23-1/4	11-11/16	17/16	6-11/16	5-1/2	1	5	4-1/2	10,900
400	6	3	32	25-3/4	13	19	7	5-1/2	1	5	4-1/2	13,000
500	8	4	35	26-1/2	14	20	7	7	1-1/4	6	5-1/2	15,000
700	12	5	38	29-1/2	15-5/8	23-1/2	8-1/8	7	1-1/4	6	5-3/4	18,700
775	13	5	38	32	16-7/8	24-3/4	8-5/8	7	1-1/4	6	5-3/4	20,050
900	15	7	42	32	17	24	9	7-1/2	1-1/2	6-1/2	6-1/2	22,300
1,000	16	7	42	33-5/8	18	25-1/8	9-3/4	7-1/2	1-1/2	6-1/2	6-1/2	24,100
1,260	18	8	46	36-3/8	18-3/4	28-3/4	9-7/8	8-1/2	1-3/4	7-1/2	6-3/4	28,800
1,430	20	9	49	39	20	28-7/8	10-3/4	9-1/4	2	8-1/2	7	31,700
1,540	21	9	49	40	20-1/2	30-1/2	11	9-3/4	2	8-1/2	7	33,600
1,600	22	9	49	40	20-1/2	30-1/2	11	9-3/4	2	8-1/2	7	34,600
1,750	23	10	52	41-1/2	21	33-1/4	11-3/8	9-3/4	2	8-1/2	7-1/4	37,150
1,875	24	10	52	43	22	34-3/4	12	9-3/4	2	8-1/2	7-1/4	38,400
1,950	25	10	52	43	22	34-3/4	12	9-3/4	2	8-1/2	7-1/4	40,550
2,100	26	12	58	44-3/4	23	35-3/4	12-1/8	9-3/4	2	8-1/2	7-1/2	43,050
2,500	28	12	58	44-3/4	23-1/4	35-3/4	12-1/8	9-3/4	2	8-1/2	7-1/2	49,650
2,800	30	12	58	48	25	35-7/8	13	9-3/4	2	8-1/2	7-1/2	54,500
3,000	31	14	64	47	25-1/2	36	12-3/4	12	2-1/2	10	8-3/4	57,700
3,500	33	14	64	52-3/4	27-1/2	39-1/2	14-1/4	12	2-1/2	10	8-3/4	65,200
4,000	35	15	70-5/8	53-1/4	27-1/2	39-1/4	14-1/2	12	2-1/2	10	9-1/2	72,600
4,500	37	15	70-5/8	56-3/4	29	42	15	12	2-1/2	10	9-1/2	79,700
5,000	39	18	76	57-1/2	30	42	15-5/8	15	3	12	10-1/4	86,500
6,000	43	18	76	63-1/2	33-1/4	47	17-1/4	15	3	12	10-1/4	99,100
6,300	44	18	76	63-1/2	33-1/4	47	17-1/4	15	3	12	10-1/4	102,700
6,500	45	20	82	63-1/2	33	47-5/8	17-1/4	15	3	12	10-3/4	105,100
6,750	46	20	82	65	33-3/4	48-3/4	17-5/8	15	3	12	10-3/4	107,900
7,000	47	20	82	66-5/8	34-3/4	49-3/4	18	15	3	12	10-3/4	110,700
7,600	48	20	82	67-1/2	34-3/4	49-3/4	18-3/8	15	3	12	10-3/4	117,300
8,100	49	22	93-1/2	68-1/4	34-3/4	48-7/8	18-1/4	17	3-1/2	13-1/4	11-1/2	122,500
8,600	50	22	93-1/2	68-1/2	35-3/4	50-1/2	18-1/2	17	3-1/2	13-1/4	11-1/2	127,500
9,000	51	23	96	70-1/4	36-3/4	51-3/4	19-1/8	17	3-1/2	13-1/4	11-1/2	131,400
10,000	53	24	96	75-1/2	39	58	21	19	4	14-3/4	12	140,400
11,000	53	24	96	75-1/2	39	58	21	19	4	14-3/4	12	148,500
12,000	56	24	96	76-3/4	40	58	21-3/4	19	4	14-3/4	12	156,100
13,000	56	26	98	76-3/4	40	58	21-3/4	19	4	14-3/4	12	163,500
14,000	59	27	103	80-1/2	44	60	22-1/4	19	4	14-3/4	13	170,500
15,000	60	28	103	86	46	65	24	19	4	14-3/4	13	176,800
16,000	62	30	108	86	46	65	24	19	4	14-3/4	13	182,800
18,000	64	32	112	88-1/4	48-1/4	65-5/8	24-3/4	22	4-1/2	16-3/4	13	194,200
18,900	64	32	112	88-1/4	48-1/4	65-5/8	24-3/4	22	4-1/2	16-3/4	13	198,800
20,000	66	34	112	96	50	72	26	22	4-1/2	16-3/4	14	204,300
25,000	67	35	120	103	53-3/4	77-1/2	28	22	4-1/2	16-3/4	15	227,000
30,000	69	37	128	110	57-1/4	82-1/2	29-7/8	24	5	18-3/4	16	247,600
35,000	70	38	135	116	60	87	31-1/2	25	5	19	17	265,600
40,000	71	39	140	121	63	91	32	26	5-1/2	20	17-1/2	278,200
45,000	72	40	147	126	65	94	34	27	5-1/2	21	18	287,550
50,000	73	41	152	131	68	99	35	28	6	21-1/2	19	292,600

Dimensions above are in inches, anchor weight in pounds.
 Certified drawings of anchors listed above, and of intermediate and larger sizes, will be furnished on request.



WASHINGTON CHAIN & SUPPLY, INC.

P.O. Box 3645 • 2901 Utah Avenue South • Seattle, WA 98124

Tel: 800-851-3429 • Fax: 206-621-9834 • E-mail: info@wachain.com

Visit our web site for more information: www.wachain.com

