

EATON CROUSE-HINDS PAULUHN

Watertight, Outside and Corrosive Environments

WATERTIGHT ROUND JUNCTION BOXES

CONSTRUCTION: Cast marine brass or copper-free aluminum with a natural finish. Stainless steel hardware for all types. All units are surface mounted via two external mounting holes. 518 units are mounted via two $\text{\O} 1/4"$ holes, 504 units by two $\text{\O} 9/32"$ holes and 527/545 units by two $\text{\O} 11/32"$ holes. One piece neoprene gasket provides a watertight seal between the cover and housing.



504A

APPROVALS: ABS, Type 4X and Conforms to IP66.

Box Description	Dimensions $\text{\O} \times \text{D}$	Brass Wt. (lbs.)	Max. Size NPT Outlet	Brass Type (B)	Aluminum Type (A)
Round Junction	3" x 1-1/2"	1.8	3/4"	504B	504A
Round Junction	2-1/2" x 1-1/2"	1.3	1/2"	518B	518A
Round Junction	4" x 2"	3.5	1"	527B	527A
Round Junction	4" x 3"	5.3	1-1/2"	545B	545A

SPARE PARTS

	Brass Cover and Gasket Sets	Aluminum Cover and Gasket Sets	Gaskets Only
504	INX6513-1B	INX6513-1A	GKT3001
518	INX6598B	INX6598A	GKT2004
527	INX6570B	INX6570A	GKT3000SIL
545	INX6570B	INX6570A	GKT3000SIL

WATERTIGHT CABLE GLANDS

For Portable Cords & MV, SE, PLTC, TC & UF Types 1/2", 3/4" & 1" N.P.T.

CONSTRUCTION: Marine grade brass or copper-free aluminum bodies and gland nuts. Supplied complete with neoprene grommets to make hole sizes shown under grip range. The gland nut is hex shaped for easy tightening.

APPROVALS: ABS, Type 4X and Conforms to IP66.

APPLICATION: ACG and BCG series cable glands are for use with portable cords and types MV (unarmored), SE, PLTC (round), TC and UF cables. Designed to grip the cable and create a watertight seal around cable entrance into a junction box or a bulkhead.



INX1502BCG

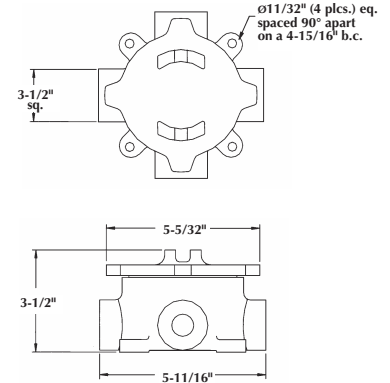
Description	N.P.T.	Grommet Cat. No.	Dia. Bore	Grip Range	Brass Cat. No.	Aluminum Cat. No.
Cable Gland	1/2"	GKT7018	.562	.312 - .375	INX1502BCG	INX1502ACG
		GKT7019		.375 - .437		
		GKT7020		.437 - .500		
Cable Gland	3/4"	GKT7021	.750	.437 - .562	INX1506BCG	INX1506ACG
		GKT7022		.562 - .687		
		GKT7023		.687 - .750		
Cable Gland	1"	GKT7024	1.000	.750 - .875	INX1508BCG	INX1508ACG
	GKT7025	.812 - .937				

EXPLOSION PROOF SCREW COVER JUNCTION BOX

U.L. 498, NEMA 4X & 7 U.S.C.G.
Class I Groups C & D – Class II Groups E, F & G



EPJ505A



CONSTRUCTION: Heavy wall cast brass or copper-free marine-grade cast aluminum with a natural finish. Stainless steel hardware.

APPROVALS: UL 886 (Outlet Boxes F/Hazardous Locations), Class I Division 1 Groups C & D, Class II Division 1 Groups E, F & G, Type 4X, ABS and conforms to IP66.

CONDUIT OPENING SIZE AND CONFIGURATION: Can be supplied with one, two, three or four outlets. Two outlet units can be supplied with the outlets 180° or 90° apart. Hub sizes are available in 1/2", 3/4" or 1" NPT.

TERMINAL BLOCKS: Can be supplied with a four pole 20 Amp terminal block, if required.

MOUNTING: Surface mounted via four $\text{\O} 5/16"$ mounting holes.

GASKET: One continuous molded piece of high temperature neoprene gasket provides an effective seal between the cover and housing.

ORDERING REFERENCES

I. SERIES DESIGNATION	II. MATERIAL DESIGNATION	III. CONDUIT HUB SIZE	IV. CONDUIT OPENING CONFIGURATION	V. OPTIONAL SUFFIXES
EPJ 505	A Aluminum B Brass	50 1/2" NPT 75 3/4" NPT 10 1" NPT	1 One conduit opening 2 Two conduit openings 180° apart 2L Two conduit openings 90° apart 3 Three conduit openings 4 Four conduit openings	T4 4 Pole 20 Amp Terminal block

Crouse-Hinds
by **EATON**