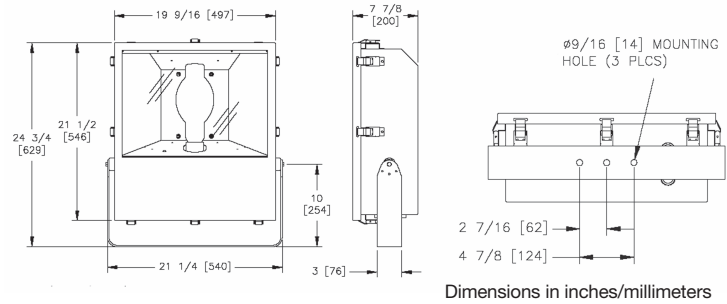


EATON CROUSE-HINDS PAULUHN

**DUAL RATED CLASS I DIVISION 2/ZONE 2 AND RESTRICTED BREATHING
HID MOGUL BASE FLOODLIGHT FIXTURE**
**APPROVALS:**

- UL & cUL - Hazardous Locations Class I, Zone 2, AEx nR II T3 (USA)
Ex nR II T3 (Canada)
Class I, Division 2, Groups A, B, C & D Type 4X
Class I, Zone 2, Groups IIA, IIB, IIB + H2 and IIC
- UL 1598A - Marine Outside Type Saltwater
- ABS
- Certified IP66 and IP67

RBF FIXTURES

Type	Lamp	Part No.	Wt. (lbs.)*	Temp. Code**
High Pressure Sodium	150W	RBFLS151B	47.5	T1 / T3
	250W	RBFLS251B	56.0	T1 / T3
	400W	RBFLS41B	58.5	T1 / T3
Metal Halide	175W	RBFHS171B	51.5	T1 / T3
	250W	RBFHS251B	50.5	T1 / T3
	400W	RBFHS41B	56.5	T1 / T3
Pulse Start Metal Halide	175W	RBFPS171B	51.5	T1 / T3
	250W	RBFPS251B	50.5	T1 / T3
	400W	RBFPS41B	56.5	T1 / T3

* Weight shown is for integral ballast

** T1 for Class I Div 2/Zone 2 / T3 for Class I Zone 2 AEx nR

HOUSING/LENS FRAME: Type 316 stainless steel with a natural finish. Seam welded construction ensures restricted breathing capability. Captive lens frame with stainless steel door retainers.

MOUNTING BRACKET: Type 316 stainless steel trunnion bracket with a natural finish. Bracket can be used for direct mounting or with optional slip fitters or angle wall brackets for additional mounting preferences.

REFLECTORS: Specular hammer tone aluminum combined with a vertical lamp maximizes light distribution.

CABLE ENTRIES: Two cable entries allow feed-through/looping wiring. The cable entries are available in 3/4" NPT as standard or with optional M25 reducer.

LENS: High impact, thermal and shock resistant tempered glass. Wide NEMA 6 x 6 beam pattern. Lens is field replaceable.

GUARD: Type 316 stainless steel wire guard also available as an option. Wire guard and visor may be installed together. (Requires special lens frame.)

VISOR: Ten inch, stainless steel shade attaches at top or bottom. Can be used with wire guard. (Requires special lens frame.)

BALLAST: A High Power Factor (HPF) integral ballast is supplied for 120/208/240/277V AC 60 Hz.

Options: 220V, 347V & 480V 60 Hz; 220V 50 Hz.

LAMP TYPE: Available in mogul base High Pressure Sodium (HPS), Pulse Start Metal Halide (PSMH) and Metal Halide (MH). Fixtures are supplied without lamps.

GASKETS: A one-piece molded high temperature silicone gasket provides an effective seal between the lens and housing.

OPERATING TEMPERATURE (at 400W):

HPS & PSMH: -40°C to 50°C MH: -30°C to 55°C

SPARE PARTS

BALLASTS	LAMPS	LAMP HOLDERS	INX4100
High Pressure Sodium	High Pressure Sodium	MOUNTING OPTIONS	
150W INX5015	150W INX3651	Surface (Aluminum or Brass)	INX7007A/B
250W INX5021	250W INX3546	Pole (Aluminum or Brass)	INX7006A/B
400W INX5019	400W INX3517	Pole (Stainless Steel)	INX7006SS
Metal Halide	Metal Halide	Right Angled Wall (Stainless Steel)	INX7058S
175W INX5022	175W INX3551	Crane Boom (Painted Steel)	INX7001
250W INX5102	250W INX3541	Safety Cable (2 recommended)	FX6806
400W INX5033	400W INX3524		
Pulse Start Metal Halide	Pulse Start Metal Halide	Lens/Frame/Gasket Assembly	INX9062
175W INX5244	175W INX3732	Lens/Frame/Gasket Assembly for Guard/Visor	INX9063
250W INX5245	250W INX3733		
400W INX5246	400W INX3734	Guard	INX1064
		Visor	INX6261