



VINGTOR

TALK-BACK & INTERCOM SYSTEMS

ETB - CTB - PR0700 - SP-5



VINGTOR

VINGTOR is world renowned for its extensive knowledge in the design, construction, installation and maintenance of integrated marine communication systems. The company, with long-term experience serving the maritime industry, has an impressive portfolio and provides cutting edge solutions to vessels worldwide under the internationally renowned brand name of VINGTOR®. The VINGTOR brand underpin Zenitel Marine's reputation as a supplier of the most flexible, reliable and advanced communication systems available today.

MEETING YOUR REGULATORY REQUIREMENTS

All Zenitel Marine products are tested according to IEC 60945, IEC 60533 standards, and comply with SOLAS regulations and codes relevant for on-board communication systems. Zenitel Marine delivers systems in accordance with the rules of all major classification societies.

FOR ALL YOUR SALES & AFTER SERVICE REQUIREMENTS

Zenitel Marine is a specialist provider of spare parts, repairs, maintenance contracts and refit solutions. Responsibility and availability are our guidelines and customer support and service a first priority.

ETB & ETB-100 TALK-BACK SYSTEM	4
ETB CENTRAL UNITS	7
CTB & CTB-100 TALK-BACK SYSTEM	8
CTB CENTRAL UNITS	11
VOC-200 TALK-BACK SYSTEM	12
MICROPHONES & ACCESSORIES	13
EQUIPMENT BRIDGEWING	14
SUBSTATION & ACCESSORIES	14
EX PROOF EQUIPMENT	17
AMPLIFIERS	18
PRO700 INTERCOM SYSTEM	19
PRO700 STATIONS	20
PRO700 ACCESSORIES	21
SP-5 COMMON LINE INTERCOM SYSTEM	23

TALK-BACK SYSTEMS

The ETB-5 & ETB-10/ETB-10A is a Command Talk-Back system with 5 or 10 lines while the ETB-100/ETB-100A is a Command Talk-Back & Public Address system with 10 lines. The ETB-100A can also be used as an emergency Public Address system.

The system comprises a central unit and a comprehensive range of substations and other field equipment for use indoors, outdoors, and in noisy areas on marine vessels. Physical dimensions of the units are based on the Euro DIN standard and are integrated seamlessly into bridge solutions.

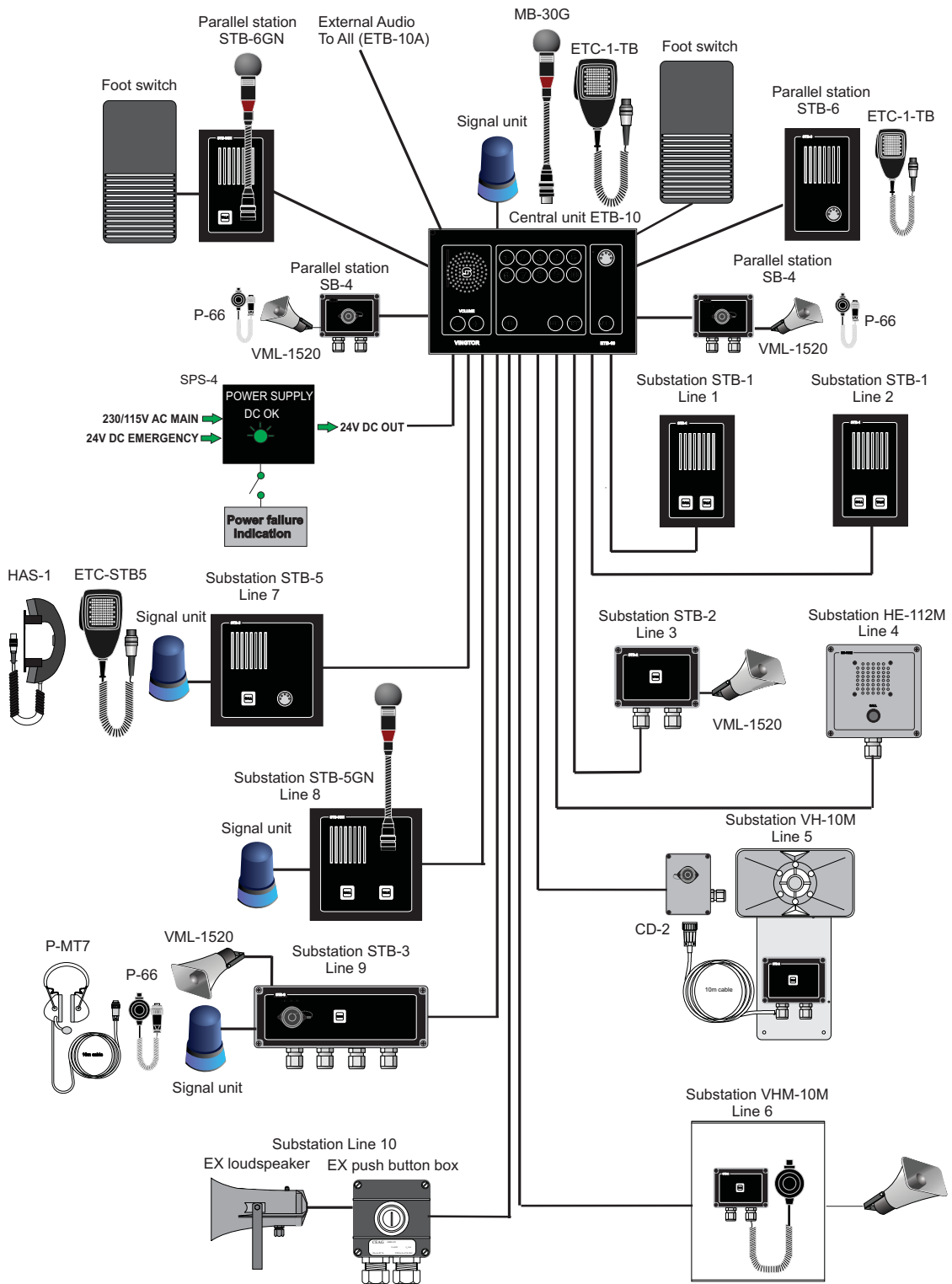
FEATURES

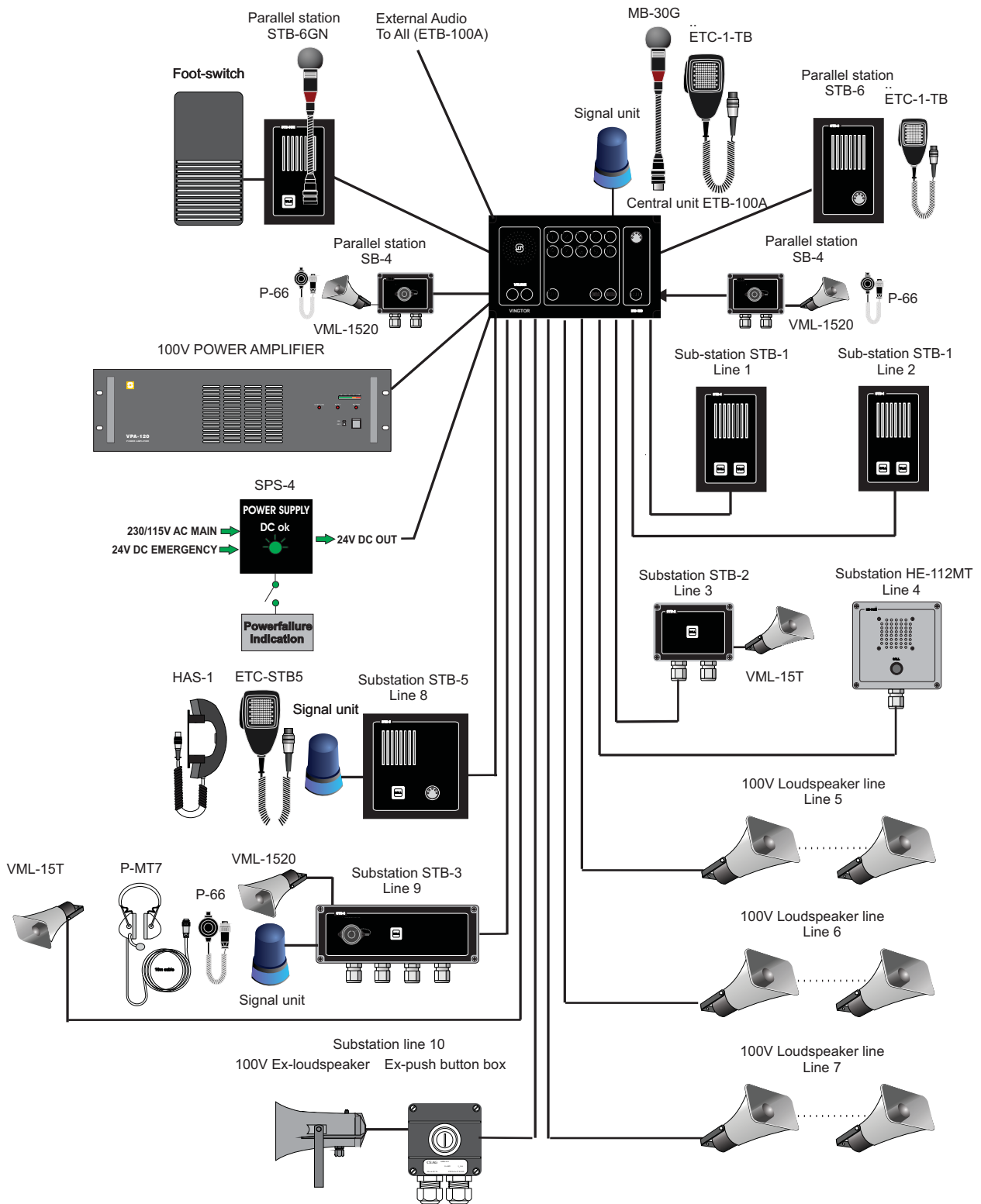
- Command Talk-Back
- Dimmable call light
- 5 or 10 line selection
- Step volume control
- All Call
- Output for extra signal device - all lines
- Handheld or gooseneck microphone
- Output for parallel microphone and loudspeaker
- Handsfree operation with foot switch
- Console or wall mounting
- Power: 22-32 VDC
- Audio input from external system (ETB-10A and ETB-100A)
- Public Address 100V line power amplifier (ETB-100/ETB-100A)

APPROVALS

The ETB systems are tested according to IEC 60945, and is type approved by DNV, RMRS, CCS, RRR







ETB CENTRAL UNITS



3005020022

ETB-5 CENTRAL PANEL MOUNTED 5 LINES, 24V DC, 2A

- Master station with 5 lines selection
- All Call facility
- Monitor-speaker / microphone
- Connector for gooseneck or handheld microphone
- Dimmable memory light
- Line buttons with memory light
- Buzzer indication of incoming calls
- Step volume control
- Call signal
- Output for extra signal device all lines
- 24 VDC power supply



Size (WxHxD): 240 x 144 x 130mm
Weight: 1.6 kg

Additional Information: IP-22

3005020018

ETB-10 CENTRAL, PANEL MOUNTED, 10 LINES , 24V DC, 2A

- Master station with 10 lines selection
- All Call facility
- Monitor-speaker / microphone
- Connector for gooseneck or handheld microphone
- Dimmable memory light
- Line buttons with memory light
- Buzzer indication of incoming calls
- Step volume control
- Call signal
- Output for extra signal device all lines
- 24 VDC power supply



Size (WxHxD): 240 x 144 x 130mm
Weight: 1.6 kg

Additional Information: IP-22

3005020019

ETB-100 CENTRAL, PANEL MOUNTED, 10 LINES, 24V DC, 2A

- Master station with 10 lines selection
- 100V line output
- All Call facility
- Monitor-speaker / microphone
- Connector for gooseneck or handheld microphone
- Dimmable back light
- Buzzer indication of incoming calls
- Step volume control
- Call signal
- Output for extra signal device all lines
- 24V DC power supply



Size (WxHxD): 240 x 144 x 130mm
Weight: 1.8 kg

Additional Information: IP-22

3005020021

ETB-10A CENTRAL INCL. ALL-CALL 10 LINES PANEL MOUNTED, 24V DC, 2AMP

- Master station with 10 lines selection
- All Call facility
- Monitor-speaker / microphone
- Connector for gooseneck or handheld microphone
- Dimmable memory light
- Line buttons with memory light
- Buzzer indication of incoming calls
- Step volume control
- Call signal
- Output for extra signal device all lines
- 24 VDC power supply
- Audio input from external system



Size (WxHxD): 240 x 144 x 130mm
Weight: 1.6 kg

Additional Information: IP-22

3005020020

ETB-100A CENTRAL, INCL. ALL CALL, 10 LINES PANEL MOUNTED, 24V DC 2 AMP

- Master station with 10 lines selection
- 100V line output
- All Call facility
- Monitor-speaker / microphone
- Connector for gooseneck or handheld microphone
- Dimmable back light
- Buzzer indication of incoming calls
- Step volume control
- Call signal
- Output for extra signal device all lines
- 24V DC power supply
- Audio input from external system



Size (WxHxD): 240 x 144 x 130mm
Weight: 1.8 kg

Additional Information: IP-22



VINGTOR

CTB & CTB-100

TALK-BACK SYSTEMS

The CTB & CTB-100 Talk-Back system is a command communication system based on one operator unit/panel and a wide range of substations for marine environments. The CTB-100 system supports public address using power amplifiers and 100V loudspeakers. The system is typically used to coordinate activities in a work group – the main stations can hear all conversations. The CTB & CTB-100 systems are based on one central unit, up to 4 main operator panels (the CTB-100 Talk-Back system includes loud-hailing and 100 V power amplifier in addition) and a wide range of substations made for marine environments. Operator panels are nominated as master or sub-master by settings in the CU central unit.

The CU central unit contains all electronic parts including the optional output amplifier, as well as terminals for termination of all field equipment.

The CTB operator panels have foil protected push buttons. The physical dimensions are based on the Euro DIN standard and are integrated seamlessly into bridge solutions. Both handheld and gooseneck microphones can be used via settings in the CU central unit.

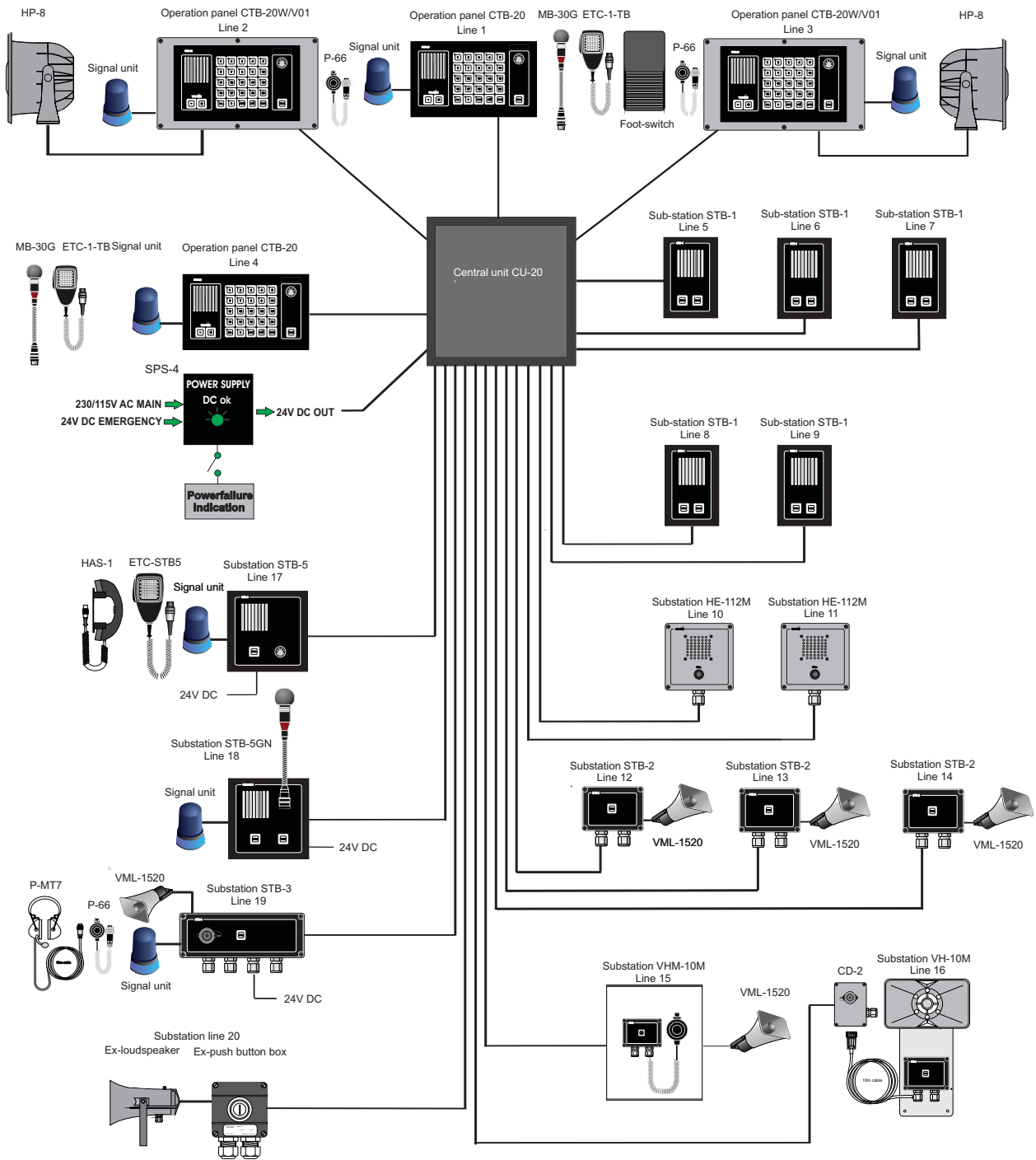
FEATURES

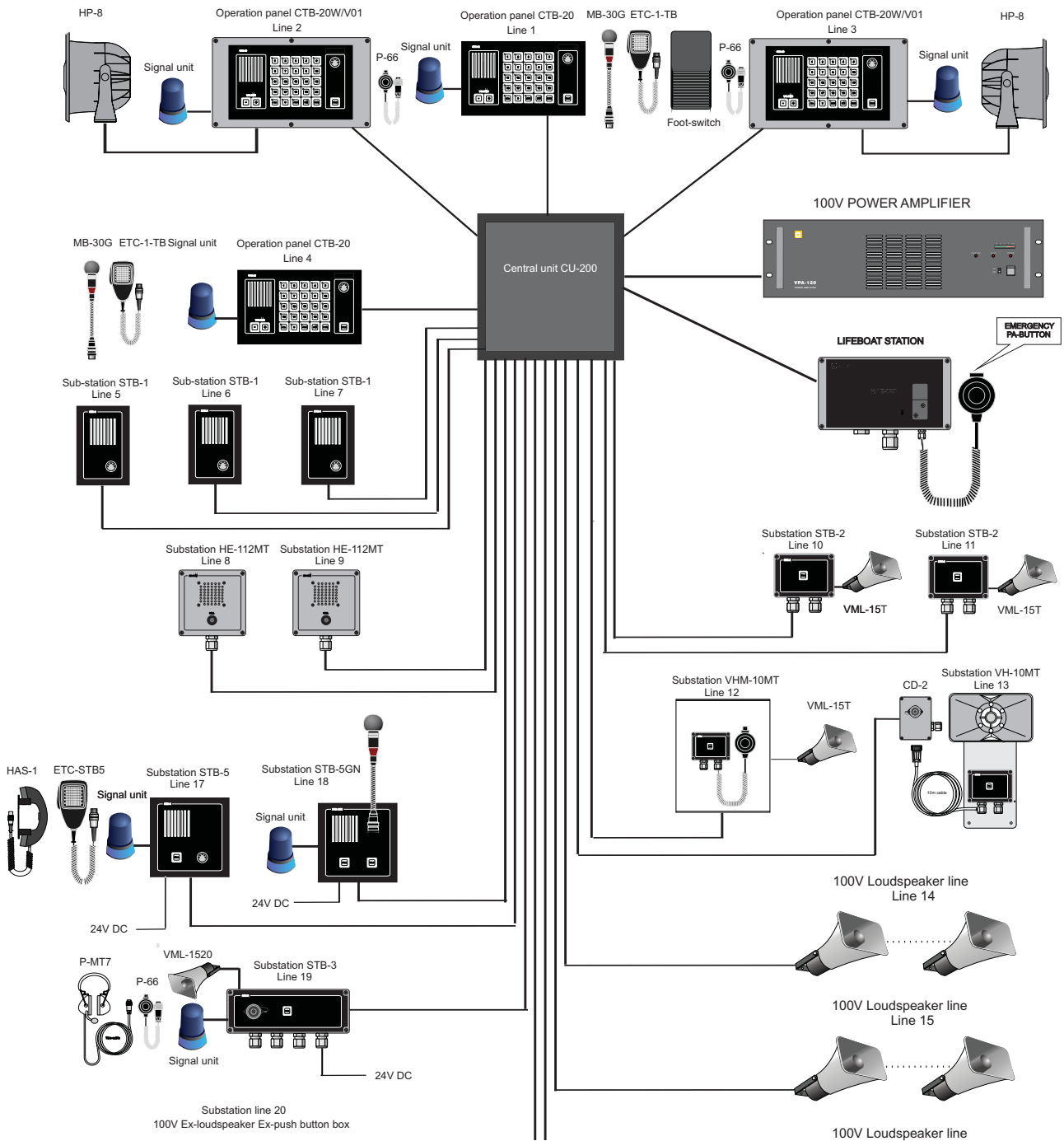
- Operator station with Direct Access Keys
- 10 or 20 lines direct selection
- Work group communication facility
- Extension buttons with memory light and buzzer
- indication of incoming calls
- Easy access volume control for operators
- Dimmable panel background light
- Easy integration with SPA-V2 for audio output and zone selection
- Integrated bridge solution with DIN norm for mounting

APPROVALS

The CTB systems are tested according to IEC 60945, and is type approved by DNV, RMRS, CCS, RRR & PRS







CTB CENTRAL UNITS



3005020001

CTB-10 CONTROL UNIT, PANEL MOUNTED, 10 LINES

- Operator panel CTB-10 with 10 lines selection
- Operates with CU-10 central unit
- Single call / Group Call / All Call facility
- Socket for gooseneck or handheld microphone
- Dimmable panel background light
- Extension buttons with on lightPerfect for Building Security and Public Environments
- Buzzer indication of incoming calls
- Step volume control
- Call signal
- Output for extra signal device all lines



Size (WxHxD): 240 x 144 x 100 mm
Weight: 1.2 kg

Additional Information: IP-22

3005020003

CTB-20 CONTROL UNIT, PANEL MOUNTED, 20 LINES

- Operator panel CTB-20 with 20 lines selection
- Operates with CU-20 or CU-200 central unit
- Single call / Group Call / All Call facility
- Socket for gooseneck or handheld microphone
- Dimmable panel background light
- Extension buttons with on lightPerfect for Building Security and Public Environments
- Buzzer indication of incoming calls
- Step volume control
- Call signal
- Output for extra signal device all lines



Size (WxHxD): 240 x 144 x 100 mm
Weight: 1.2 kg

Additional Information: IP-22

3005020002

CTB-10W/V01 CONTROL UNIT W/ HP-8, WALL MOUNTED WT

- Waterproof operator panel with 10 lines selection,
- With external loudspeaker HP-8
- Option, microphone P-66 and P-66/10
- Operates with CU-10 or CU-100 central unit
- Single call / Group Call / All Call facility
- Dimmable panel background light
- Line buttons with memory light
- Buzzer indication of incoming calls
- Step volume control
- Call signal
- Wall mounting



Size (WxHxD): 300 x 160 x 156 mm
Weight: 1.4 kg

Additional Information: IP-66

3005020005

CTB-20W/V01 CONTROL UNIT W/ HP-8, WALL MOUNTED WT

- Waterproof operator panel with 20 lines selection,
- With external loudspeaker HP-8
- Option, microphone P-66 and P-66/10
- Operates with CU-20 or CU-200 central unit
- Single call / Group Call / All Call facility
- Dimmable panel background light
- Line buttons with memory light
- Buzzer indication of incoming calls
- Step volume control
- Call signal
- Wall mounting



Size (WxHxD): 300 x 160 x 156 mm
Weight: 1.4 kg

Additional Information: IP-66

3005020008

CU-10 CENTRAL UNIT FOR CTB-10, 24V DC, 3A, STANDARD

- Central unit 10 lines for the CTB system
- Operates with CTB-10 and CTB-10 W/V01 panel units
- AUX / Alarm input
- Output to Public Address system
- 24 VDC power supply



Size (WxHxD): 400 x 400 x 120 mm
Weight: 2.6 kg

Additional Information: IP-22

3005020010

CU-20 CENTRAL UNIT FOR CTB-20, 24V DC, 4 A, STANDARD

- Central unit 20 lines for the CTB system
- Operates with CTB-10 and CTB-10 W/V01 panel units
- AUX / Alarm input
- Output to Public Address system
- 24 VDC power supply



Size (WxHxD): 400 x 400 x 120 mm Weight: 2.6 kg

Additional Information: IP-22

3005020009

CU-100 CENTRAL UNIT FOR CTB-10, 24V DC, 3A, 100V OUTPUT W/ ALARM MUTE

- Central unit 10 lines for the CTB-100V system
- Operates with CTB-10 and CTB-10 W/V01 panel units
- AUX / Alarm input
- Output to Public Address system
- 24 VDC power supply
- 100V line output
- High power amplification by use of external 100V power amplifier



Size (WxHxD): 400 x 400 x 120 mm Weight: 3.2 kg

Additional Information: IP-22

3005020011

CU-200 CENTRAL UNIT FOR CTB-20, 24V DC, 4 A, 100V OUTP. W/ ALARM MUTE

- Central unit 20 lines for the CTB-100V system
- Operates with CTB-20 and CTB-20 W/V01 panel units
- AUX / Alarm input
- Output to Public Address system
- 24 VDC power supply
- 100V line output
- High power amplification by use of external 100V power amplifier



Size (WxHxD): 400 x 400 x 120 mm Weight: 3.2 kg

Additional Information: IP-22

VOC-200
TALK-BACK
SYSTEM

Simple 2 lines system
Not according to IEC 60945

1020174200

VOC-200 CENTRAL, PANEL MOUNTED 2 LINES 24V DC, 2A

- Designed for panel mounting in consoles.
- Wall mounting by use of MBOKS
- Two extension buttons with light indication of incoming calls
- Built-in buzzer for incoming calls
- Call button for activating external signal units in noisy areas.



Size (WxHxD): 238 x 130 x 85mm Weight: 1.0 kg

Additional Information: IP-22

3006090478

MBOKS, METAL MOX WHEN WALL MOUNTED

- On-wall box designed for stations in Talk-Back systems



Size (WxHxD): 244 x 138 x 76 mm Weight: 1,0 kg

Additional Information: IP-22

MICROPHONES & ACCESSORIES



3005020033

MB-30G GOOSENECK MICROPHONE

- Electret microphone, 2K ohm
- 5-pin din plug
- For use in Public Address and Talk-Back systems



Size (Length): 460 mm Weight: 0.1 kg

Additional Information: IP-22

3005020029

ETC-1-TB HANDMIC W/5 PIN DIN PLUG

- Dynamic, 200 ohm
- Flexible cord with PTT switch
- Hang up clip
- For ETB and CTB central panels



Size (WxHxD): 58 x 102 x 47mm Weight: 0.2 kg

Additional Information: IP-22

3005020039

P-66 HAND MICROPHONE WITH PLUG, WT

- Weatherproof, salt water resistant handheld microphone
- Suitable for heavy-duty outdoor operation subject to noise disturbance
- Delivered with 2 meter flexible cable and plug
- For use in Public Address System and Talk-Back



Size (WxHxD): 54 x 82 x 55mm Weight: 0.3 kg

Additional Information: IP-66

3005020040

P-66/10 HAND MICROPHONE WITH PLUG AND 10M CABLE, WT

- Weatherproof, salt water resistant handheld microphone
- Suitable for heavy-duty outdoor operation subject to noise disturbance
- Delivered with 10 meter cable and plug
- For use in Public Address System and Talk-Back



Size (WxHxD): 54 x 82 x 55mm Weight: 0.6 kg

Additional Information: IP-66

3005020016

ECM-5 EXTENSION CORD 5 M FOR P-290, P-MT7, P-66

- Male and female plug in polyamid material with PG-13.5 cable inlet



Size (Length): 5m Weight: 0.3 kg

Additional Information: IP-66

3005020013

ECM-10 EXTENSION CORD 10 M FOR P-290, P-MT7, P-66

- Male and female plug in polyamid material with PG-13.5 cable inlet



Size (Length): 10m Weight: 0.5 kg

Additional Information: IP-66

3005020028

ETC-1-CH CHASSIS CONTACT 5-PIN DIN FOR ETC-1-TB W/1M CABLE

- Prepared with screw terminals for connections



Size PCB (WxHxD) : 50 x 35 x 16mm
Weight: 0.1 kg

3005020065

WBOKS, WALL MOUNTED BOX FOR ETB-5, ETB-10, ETB-100 AND CTB-10/20



Size (WxHxD): 240 x 144 x 100mm Weight: 0.4 kg

Additional Information: IP-22

2990000032

CPM-SNT-120-5 POWER SUPPLY 100-240VAC/24VDC 5A

- Switch mode, regulated power
- 22.5 to 29.5 V DC (adjustable via potentiometer on front)
- Overload protected
- Short-circuit protected
- DIN mounting
- GL approved



Size (WxHxD): 40 x 130 x 125 mm Weight: 0.7 kg

Additional Information: Din rail mounting

3005020055

SPS-4 POWER SUPPLY 115/230V AC / 24V DC , 4A W/AUTOSWITCH

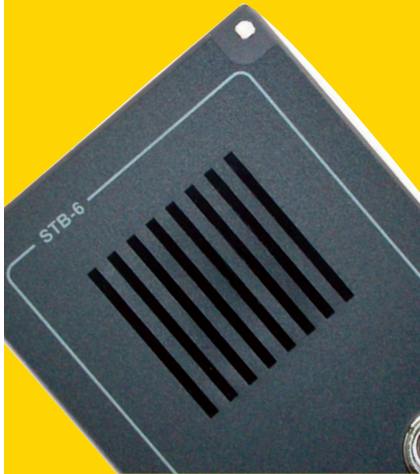
- Automatic switch to emergency 24 VDC when mains supply fails.
- Potential free relay contact for power failure



Size (WxHxD): 200 x 250 x 150 mm Weight: 4,1 kg

Additional Information: P-44

BRIDGEWING EQUIPMENT



3005020053

SB-4 PLUG BOX FOR HANDMIC, WT

- Watertight socket box
- For microphone (P-66 or P-66/10) or headset (P-MT7)
- Socket with dust cap
- Wall mounting



Size (WxHxD): 110 x 80 x 63 mm Weight: 0.3 kg

Additional Information: IP-66

3005020064

STBOKS FOR STB-6 AND STB-6GN WHEN WALL MOUNTED



Size (WxHxD): 144 x 96 x 47 mm Weight: 0.1 kg

Additional Information: IP-22

3005020062

STB-6 FLUSH MOUNTED SUBSTATION FOR MIC

- Substation for indoor use
- Parallel microphone / loudspeaker for ETB and CTB operator panels
- Wall mounting with back box
- Socket for handheld microphone ETC-1-TB



Size (WxHxD): 144 x 96 x 44,5 mm Weight: 0.35 kg

Additional Information: IP-22

3005020063

STB-6GN FLUSH MOUNTED SUBSTATION W/GOOSENECK

- Substation with gooseneck microphone for indoor use
- Parallel microphone / loudspeaker for ETB and CTB operator panels
- Flush or bulkhead mounting
- Wall mounting with back box



Size (WxHxD): 144 x 96 x 44,5 mm Weight: 0.85 kg

Additional Information: IP-22

SUBSTATIONS ACCESSORIES



3005020057

STB-1 WALL MOUNTED INDOOR LOUDSPEAKER WITH CALL AND ANSWER BUTTON

- Talk-Back substation, designed for use in cabins, messrooms, etc.
- Call-button
- Privacy
- Talk-button



Size (WxHxD): 144 x 96 x 49 mm Weight: 0.35 kg

Additional Information: IP-22

3005020058

STB-2 CALLBOX WT WALL MOUNTED

- Call box
- Waterproof
- Call button
- Forming a loud speaking Talk-back Substation together with a horn loudspeaker (VML-1520)



Size (WxHxD): 110 x 80 x 63 mm Weight: 0.3 kg

Additional Information: IP-66

3005020059

STB-3 COMBINED CALL-PLUGBOX-SIGNAL RELAY (2A) UNIT WITHOUT LOUDSPEAKER

- Calling unit
- Waterproof
- Call-button
- Socket with dust-cap for connection of headset or microphone
- Built-in relay circuit for operation of external signalling devices
- Forming a loudspeaking Talk-Back substation together with a horn loudspeaker

Size (WxHxD): 224 x 80 x 63 mm Weight: 0.5 kg

Additional Information: IP-66



3005020050

P-MT7 HEADSET W/BOOM MIC. AND 10M CORD W/4-PIN C-16 PLUG

- Headset for Analog Telephone and Talk-back System
- Standard with 10 meter cable and plug
- To be used in noisy areas
- Includes headset holder



Weight: 1.2 kg

Additional Information: IP-54

3005020030

ETC-STB5 HAND MICROPHONE WITH 4-PIN DIN PLUG

- Dynamic microphone, 200 ohm
- Flexible cord with PTT switch
- Hang up clip



Size (WxHxD): 58 x 102 x 47mm Weight: 0.2 kg

Additional Information: For STB-5 only.

3005020032

HAS-1 HANDSET FOR STB-5

- Handset with cradle
- Designed for use together with Talk-back substation STB-5



Size (WxHxD): 60 x 220 x 80mm Weight: 0.3 kg

3005020061

STB-5GN FLUSH MOUNTED SUBSTATION W/RELAY, W/ GOOSENECK

- Talk-Back substation, designed for multipurpose indoor use (engine room)
- Delivered for flush or bulkhead mounting
- Call button
- Built-in relay circuit for operating of external signalling devices.
- Loudspeaker
- Gooseneck microphone



Size (WxHxD): 144 x 144 x 57 mm Weight: 0.9 kg

Additional Information: IP-22

3005020060

STB-5 FLUSH MOUNTED SUBSTATION W/RELAY, FOR MIC OR HANDSET

- Talk-Back substation, designed for multipurpose indoor use (engine room)
- Delivered for flush or bulkhead mounting
- Call button
- Built-in relay circuit for operating of external signalling devices.
- Loudspeaker
- Socket for handset or handheld microphone

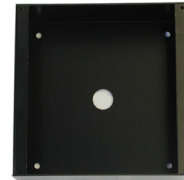


Size (WxHxD): 144 x 144 x 57 mm Weight: 0.5 kg

Additional Information: IP-22

3005010206

STBOKS5 FOR STB5 AND STB-5GN WHEN WALL MOUNTED



Size (WxHxD): 144 x 144 x 59 mm Weight: 0.2 kg

Additional Information: IP-22

3006206006

HE-112M OUTDOOR LOUDSPEAKER WITH CALL BUTTON

- Talk-Back Substation, for use in open deck areas
- Wall mounting
- Call-button



Size (WxHxD): 122 x 120 x 90 mm Weight: 0.4 kg

Additional Information: IP-66

3006206029

U2410 FOOT SWITCH INDOOR USE

- Foot switch for VOC, ETB and CTB systems
- 1-Pole switch 250 VAC 6A



Size (WxHxD): 101 x 198 x 40 mm Weight: 0,2 kg

Additional Information: IP-22

3006206007

HE-112M-T LOUDSPEAKER, WT, 100V

- Talk-Back Substation, for use in open deck areas
- Wall mounting
- Call-button



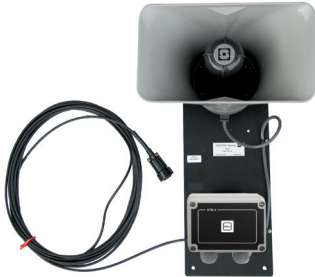
Size (WxHxD): 122 x 120 x 90 mm Weight: 0.6 kg

Additional Information: IP-66

3006206030

VH-10M PORTABLE HORN SPEAKER WITH CALLBOX AND 10M CABLE+PLUG WT

- Talk-back Substation, for use in open deck areas
- Call-button
- Also for wall mounting
- Plugbox CD-2 needed



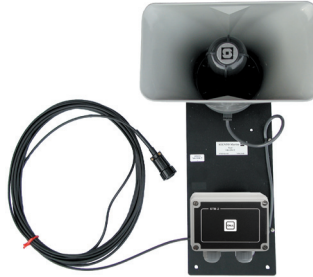
Size (WxHxD): 156 x 410 x 305 mm Weight: 3.7 kg

Additional Information: IP-66

3006206032

VH-10M-T PORTABLE HORN SPEAKER WITH CALLBOX AND 10M CABLE+PLUG WT

- Talk-Back Substation, for use in open deck areas
- Call-button
- Also for wall mounting
- Plugbox CD-2 needed



Size (WxHxD): 156 x 410 x 305 mm Weight: 3.7 kg

Additional Information: IP-66

1020600989

CD-2 PLUGBOX WT - IP-66

- For portable unit VH-10M
- Wall mounting.



Size (WxHxD): 80 x 110 x 63 mm Weight: 0.35 kg

Additional Information: For VH-10M & VH-10M-T

1020600992

IRR-3 RELAY BOX 24V DC OR 220V AC - SIGNAL UNIT WT

- Separate relay unit for operation of 24 VDC or 220 visible and/or audible signal units.
- Wall mounting



Size (WxHxD): 110 x 80 x 63 mm Weight: 0,35 kg

Additional Information: IP-66

3006206034

VHM-10 SPECIAL DECK UNIT WITH HANDMIC MOUNTED IN WT CABINET

- Talk-back Substation for use in open deck areas
- Wall mounting
- Call-button
- Handheld microphone
- Prepared for external loudspeaker



Size (WxHxD): 215 x 310 x 160 mm Weight: 2.5 kg

Additional Information: IP-66

3006100088

VML-1520 HORN SPEAKER 15W/20 OHM WT

- General purpose 15 Watt 20 ohm horn loudspeaker
- For use in deck areas, engine room etc.
- To be used together with ACM or talk-back stations
- 2,5 Mtr. cable



Size (WxHxD): 250 x 145 x 270 mm Weight: 1.35 kg

Additional Information: IP-67

Optional junction box JB-15T

3006206035

VHM-10-T SPECIAL DECK UNIT WITH HANDMIC MOUNTED IN WT CABINET

- Talk-Back Substation for use in open deck areas
- Wall mounting
- Call-button
- Handheld microphone P-66
- Prepared for external loudspeaker



Size (WxHxD): 215 x 310 x 160 mm Weight: 2.5 kg

Additional Information: IP-66

3006100090

VML-15T/F HORN LOUDSPEAKER 15W 100V W/FUSE, 2 MTR.CABLE

- General purpose 15 Watt horn loudspeaker
- For use in deck areas, engine room etc.
- With 100V line transformer
- Adjustable power tapping
- With Fuse



Size (WxHxD): 250 x 145 x 298 mm Weight: 1.9 kg

Additional Information: IP-67

Optional junction box JB-15T

EX PROOF EQUIPMENT



3006206015

NEBB-42EX CALLBOX EX GHG 411 ATEX APPR. M/IMPULSKNAPP AND 2 NIPL

- Explosion proof calling box for hazardous areas
- Delivered for bulkhead mounting
- Call-button for calling Master unit
- To be used together with EX horn speaker DSP-15EExeNT or DSP-15EExeN



Size (WxHxD): 85 x 85 x 78 mm Weight: 0.35 kg

Additional Information: IP-67

2340020010

DSP-15EEXMN W/ SST BRACKET EX SPEAKER 20 OHM 15W W/ 2X GLANDS ATEX

- Rated / max. power 25w / 25w
- Material: antistatic PA / Black
- Bracket and all outside nuts and screws in stainless steel
- Zone 1



Size (WxHxD): 170 x 144 x 207 mm Weight: 2 kg

Additional Information: 09ATEX1322X
IP Rating IP-67

2340020011

DSP-15EEXMNT W/ SST BRACKET EX SPEAKER 15W W/ 2X GLANDS ATEX

- With 100V line transformer
- Rated / max. power 25w / 25w
- Tappings; 1,5W-2,5W-5,0W-6,5W-15W-25W
- Material: antistatic PA / Black
- Bracket and all outside nuts and screws in stainless steel
- Zone 1



Size (WxHxD): 170 x 144 x 207 mm Weight: 2.2 kg

Additional Information: 09ATEX1322X
IP Rating IP-67

AMPLIFIERS



3005010235

VPA-120 POWER AMPLIFIER, 120W

- Power amplifier in a 19" rack cabinet
- 100 V and 8 ohm output
- Dual inputs with priority switching
- Temperature controlled, forced back-to-front ventilation
- 115/230 VAC mains and 24 VDC battery backup
- Power consumption at 0dB 24V DC 7,5 A
- Power consumption at 0dB 230V AC 1.7 A
- Pilot tone line monitoring
- 24 VDC / 800 mA power output for external equipment
- Chime signal with on/off switch



Size (WxHxD): 482 x 133 x 420 mm Weight: 18.2 kg

Additional Information:
Tested according to IEC 60945, IACS E10, IEC 60533

3005010237

VPA-240 POWER AMPLIFIER, 240W

- Power amplifier in a 19" rack cabinet
- 100 V and 8 ohm output
- Dual inputs with priority switching
- Temperature controlled, forced back-to-front ventilation
- 115/230 VAC mains and 24 VDC battery backup
- Power consumption at 0dB 24V DC 15,4 A
- Power consumption at 0dB 230V AC 3.1 A
- Pilot tone line monitoring
- 24 VDC / 800 mA power output for external equipment
- Chime signal with on/off switch



Size (WxHxD): 482 x 133 x 420 mm Weight: 21.2 kg

Additional Information:
Tested according to IEC 60945, IACS E10, IEC 60533

3006206019

RS-3C RACK 3HU, TERMINALS F/230VAC/24VDC IN/OUT

- 19", 3U cabinet prepared for amplifier
- Prepared with necessary terminals for signal in/out and power supply



Size (WxHxD): 520 x 450 x 180mm Weight: 6.0 kg

Additional Information:

3005010239

VPA-400 POWER AMPLIFIER, 400W

- Power amplifier in a 19" rack cabinet
- 100 V and 8 ohm output
- Dual inputs with priority switching
- Temperature controlled, forced back-to-front ventilation
- 115/230 VAC mains and 24 VDC battery backup
- Power consumption at 0dB 24V DC 28,0 A
- Power consumption at 0dB 230V AC 5.4 A
- Pilot tone line monitoring
- 24 VDC / 800 mA power output for external equipment
- Chime signal with on/off switch



Size (WxHxD): 482 x 133 x 420 mm Weight: 24.2 kg

Additional Information:
Tested according to IEC 60945, IACS E10, IEC 60533

MANUALS & SPARES

A100K11162

ETB-5-10-100 Installation & Operation Manual

A100K11163

ETB-5-10-100 User Guide

A100K10865

CTB Installation & User Manual

A100K10864

CTB-100 Installation & User Manual

A100K10871

VOC-200 Installation & User Manual

3005020024

Standard set of Spares for ETB-5/10/100

3005020024

Standard set of Spares For CTB-10/20 and CU-10/20/100/200



VINGTOR

PRO700 INTERCOM SYSTEM

EXCHANGELESS INTERCOM

The Pro700 system is a cost effective and user-friendly communication system for ships. The system does not use a central exchange. All stations are individually programmable and powered from a central power supply. The system supports upto 40 stations (16-20 recommended) and one speech channel. The system provides an extensive range of standard and optional features supporting both low and handsfree loud-speaking conversations. The system has a wide range of robust and weather resistant stations and signal units for all on-board environments.

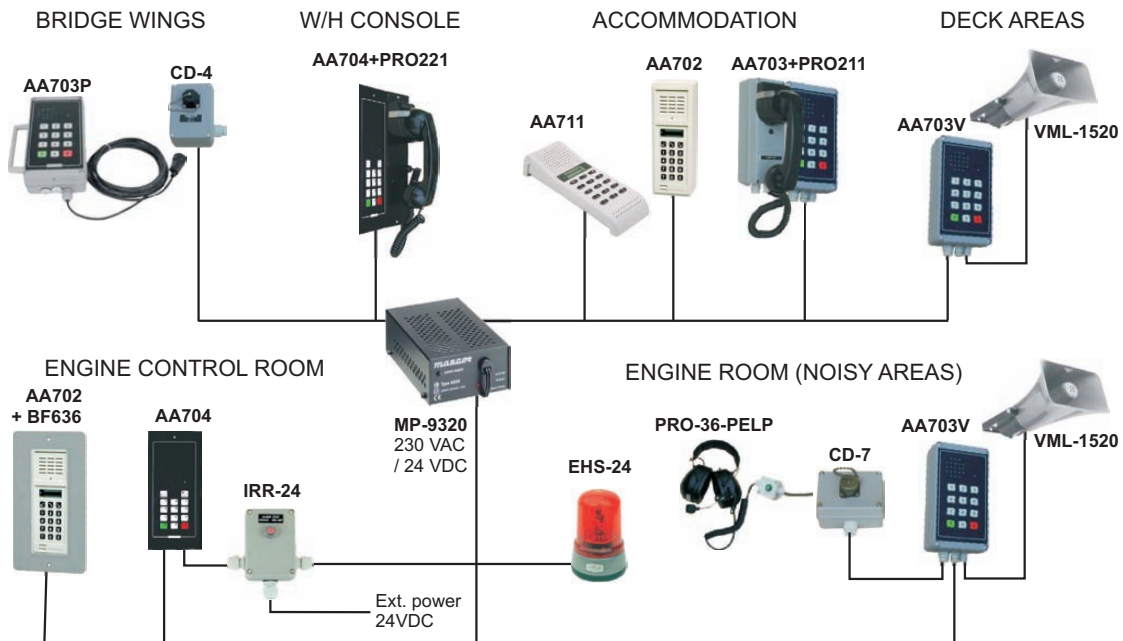
CABLE SPECIFICATION

- 0.6 mm diameter
- 120 nF/km (standard cable quality)
- Max. cable run: 700m
- Max. distance from power supply: 500m

FEATURES

- Max. capacity of 40 stations, recommended system size is 20 stations
- Standard power supply, 24-27V DC, 4A
- No system exchange
- Priorities
- Cabin stations with privacy and display
- All Call and two Group Calls with auto answer-back
- One program distribution channel
- Simple installation, loop cabling
- Hands-free conversation, semi duplex
- Remote control of external audible or visible signal devices
- Interface possibilities to Public Address and PABX (only one preprogrammed number)
- Amplifier (10W) to be built into stations

Note! Not according to IEC 60945



PRO700 STATIONS



3007600052

AA711 DESK/WALL MASTER STATION

- Loudspeaking hands free
- Built-in microphone and loudspeaker
- Full keyboard. Moving rubber keys
- Soft speaking/confidential. Lift up as a telephone handset
- Easily programmable via internal switches
- Built-in relay for control of camera, door lock, etc.
- Hang on the wall by using the wall bracket GF732
- Cabinet is cast in high-grade, impact resistant ABS plastic
- External 20 Ohms loudspeaker can be connected



Size (WxHxD): 68 x 225 x 45 mm Weight: 0.3 kg

Additional Information: IP-22
3007600034 BF642 cord, 3007600034 KB-171 Socket

3007600049

AA704 CONSOLE MASTER STATION WITH KEYBOARD WITH ILLUMINATED DIGITS

- Built-in loudspeaker and microphone, folio keyboard is in UV cured PVC with adjustable backlight
- For console flush mounting or surface wall mounted
- Easily programmable via internal switches
- External 20 Ohms loudspeaker can be installed
- An optional 10 watts amplifier FC740 for external loudspeaker can be plugged in from the backside



Size (WxHxD): 125 x 280 x 50mm Weight: 0.5 kg

Additional Information: IP-22

3007600051

AA706 CLEAN ROOM STATION FLUSH MOUNTED 18-27V DC

- Built-in loudspeaker and microphone
- For flush or wall mounting
- Flat chemical resistant and anti-bacterial front surface for easy cleaning
- Full keyboard, folio type
- Built-in relay for control of camera, door-lock etc.



Size (WxHxD): 125 x 280 x 50 mm Weight: 0.9 kg

Additional Information: IP-65 (front access)

3007600047

AA702 WALL MASTER STATION WITH DISPLAY

- Loud speaking hands free
- Built-in loudspeaker and microphone
- Surface mounted on the wall
- Full keyboard, moving rubber keys
- Can be flush mounted by use of the clip-on frame BF636
- Easily programmable via internal switches
- Cabinet is cast in high-grade, impact resistant ABS plastic
- External 20 Ohms loudspeaker can be connected



Size (WxHxD): 80 x 220 x 51 mm Weight: 0.4 kg

Additional Information: IP-44

3006220015

AA703V INDUSTRIAL MASTER STATION

- Loud speaking hands free
- Built-in loudspeaker and microphone
- Surface mounted on the wall
- Full keyboard. Folio type
- Splash proof for dirty in/outside conditions
- Cabinet is made of a flame retardant and chip-resistant casing of durable bayblend plastic
- Easily programmable via internal switches
- Built-in relay for control of camera, door lock, etc
- External 20 Ohms loudspeaker can be installed
- An optional 10 watts amplifier 3007600026 for external loudspeaker can be plugged in, inside the station cabinet



Size (WxHxD): 124 x 244 x 63 mm Weight: 0.8 kg

Additional Information: IP-64

3006220014

AA703P MAIN STATION, PORTABLE W/ BUILT-IN LOUDSP. 18-27V DC

- The AA703P is a splash proof station with 5 m. cable and plug, designed for humid, dirty and outdoor conditions
- Horn speaker VML 1520 can be connected to station
- The front can be removed to allow easy access during installation and service
- The station has an internal 3 W amplifier and the speaker volume is adjustable to four levels with switches located inside the station
- The AA703P offers a remote control output via a built-in relay, which can be used to drive external call indicators (lamp/buzzer) or for general remote control facility activated by the calling subscriber



Size (WxHxD): 124 x 244 x 63 mm Weight: 1,45 kg

Additional Information: IP-65
1020159000 CD-4 PLug box

3007600013

BC735 MULTIPURPOSE UNIT

- External loudspeaker, microphone or handset must be connected
- No keyboard
- Splash proof for dirty in/outside conditions
- Cabinet is made of a flame retardant and chip-resistant casing of durable bayblend plastic
- Easily programmable via internal switches
- Built-in relay for control of camera, door lock
- External 20 Ohms loudspeaker must be installed



Size (WxHxD): 124 x 244 x 63 mm Weight: 0.8 kg

Additional Information: IP-65

MANUALS & SPARES

A100K10226

PRO-700 Technical Manual

A100K10227

PRO-700 User Instruction

3006220011

PRO700S Standard Set of Spares

PRO700 ACCESSORIES



3007600029

GF732 WALL BRACKET FOR AA711

- For wall mounting



Size (WxHxD): 60 x 100 x 40 mm Weight: 0.02 kg

3007600020

BF642 CORD, 2M SPIRAL, 8 WIRE, RJ45



Size (WxHxD): N/A

3007600017

BF636 FRONT PLATE FOR FLUSH MOUNTING

- Swap on



Size (WxHxD): 140 x 280 x 4.5 mm Weight: 0.1 kg

Additional Information: For AA702

3007600034

KB-171 SOCKET, 8 PIN MODULAR JACK, SURFACE MOUNT

- ABS plastic connection box with 8 pin RJ45



Size (WxHxD): 51 x 51 x 22.5 mm Weight: 0.040 kg

Additional Information: For desk/wall station

3006220006

PRO211 HANDSET, WALL MOUNT

- The handset unit PRO211 is designed to be used together with main station AA703
- The built-in loudspeaker in AA703 is disconnected when lifting the handset



Size (WxHxD): 80 x 240 x 63 mm
Weight: 0.9 kg

Additional Information: IP-44

3006220007

PRO221 HANDSET, FLUSH MOUNT

- Used together with main station AA704 for flush mounting in consoles
- The built-in loudspeaker in AA704 is disconnected when lifting the handset



Size (WxHxD): 80 x 280 x 125 mm Weight: 0.65 kg

Additional Information: IP-44

1020159000

CD-4 PLUGBOX WATER TIGHT

- For portable unit
- Wall mounting



Size (WxHxD): 80 x 110 x 63 mm Weight: 0,35 kg

Additional Information: IP-66

1020600988

CD-7 PLUGBOX WT FOR PRO-36-PELP

- Used together with 3006220009, portable headset
- Socket with dustcap
- Headset with ON/OFF button
- Delivered for bulkhead mounting
- Is suitable for installation in noisy areas



Size (WxHxD): 80 x 110 x 63 mm Weight: 0.4 kg

Additional Information: IP-66

3006220009

PRO-36-PELP HEADSET W 10M CABLE AND PLUG

- Headset for connection to Plug Box CD-7
- Includes switchbox with ON/OFF and Talk push-button w/ belt clip
- Standard with 10 meter cable and plug 4 pin Amphenol
- To be used in noisy areas



Weight 1.2 kg

Additional Information: IP-54

3006220008

PRO-36-PEL HEADSET W 10M CABLE

- Includes switchbox with ON/OFF and Talk push-button w/ belt clip
- Standard with 10 meter cable
- To be used in noisy areas



Weight 1.1 kg

Additional Information: IP-54

3006202045

IRR-24 RELAYBOX FOR 24V DC SIGNAL UNITS WT

- Built-in timer circuit. 20 sec. signalling time as standard
- Alarm stop button
- Delivered for bulkhead mounting
- Suitable for installation in noisy areas



Size (WxHxD): 80 x 110 x 63 mm
Weight: 0,35 kg

Additional Information: IP-66

3006206013

MP-9320 POWER SUPPLY 220V AC / 24V DC - 3A

- Fixed output voltage
- Short circuit proof
- Mains cord with euro-plug
- LED on front



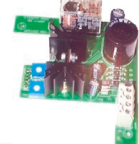
Size (WxHxD): 86 x 50 x 130mm
Weight: 0.47 kg

Additional Information:

3007600026

FC740 10 WATT INTERNAL AMPLIFIER MODULE

- FC740 is easily mounted on top of the PCB inside the stations. FC740 can be used as a talk-back unit (common loudspeaker and microphone), or as a plain 10W amplifier



Size (WxHxD): 95 x 28 x 89 mm Weight: 0.1 kg

Additional Information: For stations AA703V/P, BC735

3006206010

MP-8861 CONVERTER 24/24V DC - 3A

- Switch mode DC/DC converter
- Protected against reversed polarity and over voltage (input)
- Thermal protection, short circuit proof and over voltage protection (output)
- Input and output are electrically separated from chassis. The input is electrically separated from the output
- 6.3 mm push-on terminals (input and output)



Size (WxHxD): 119 x 135 x 46 mm
Weight: 0.6 kg

Additional Information: Additional Information: Needed when connected to ship's 24V DC

3006100088

VML-1520 HORN SPEAKER 15W/20 OHM WT

- General purpose 15 Watt 20 ohm horn loudspeaker
- For use in deck areas, engine room etc.
- To be used together with ACM or talk-back stations



Size (WxHxD): 250 x 145 x 270 mm Weight: 1.35 kg

Additional Information: IP-67
Optional junction box JB-15T

SP-5 COMMON LINE INTERCOM SYSTEM



SYSTEM DESCRIPTION

The SP-5 Common Line Intercom System provides All-to-All communication between a specified number of microphone stations without priority. Any station pressing the TALK button and speaking via the microphone will be heard in all other loudspeakers (its own loudspeaker is disconnected). The amplifier rack is for installation indoors while the microphone stations and loudspeakers are weatherproof and rugged for outdoor use. Amplifiers with 120W, 240W, and 400W power output are available

Note ! Not according to IEC 60945

3006206027

SP-5MT WATERTIGHT MICROPHONE STATION WALL MOUNTED

- Microphone station
- 100V Balanced output.
- 24V DC Power supply
- For use together with microphone type H66-SP5 and VPA amplifier



Size (WxHxD):224 x 124 x 63 mm Weight: 0.9 kg

Additional Information: IP-65

3006206026

SP-5HT WATERTIGHT HEADSET STATION WALL MOUNTED

- Headset station
- 100V Balanced output.
- 24V DC Power supply
- For use together with headset SP5-36-PELP and VPA amplifier



Size (WxHxD):224 x 124 x 63 mm Weight: 0.9 kg

Additional Information: IP-65

3006206003

H66-SP5 HAND MIC/PTT AND FLEXICABLE+PLUG FOR ABOVE

- Weatherproof, salt water resistant handheld microphone-loudspeaker unit
- Suitable for heavy-duty outdoor operation subject to noise disturbance
- Delivered with 2 meter flexicable and plug for SP-5M



Size (WxHxD): 54 x 82 x 55mm Weight: 0.3 kg

Additional Information: IP-66

3006206025

SP5-36-PELP HEADSET W/ BOOM MIC/PTT AND PLUG FOR ABOVE

- Headset for connection to a SP-5HT
- Includes TALK switchbox w/ belt clip
- Standard with 10 meter cable and plug
- To be used in noisy area



Weight: 1.2 kg

Additional Information: IP-54

3006100090

VML-15T/F HORN LOUDSPEAKER 15W 100V W/FUSE, 2 MTR.CABLE

- General purpose 15 Watt horn loudspeaker
- For use in deck areas, engine room etc.
- With 100V line transformer
- Adjustable power tapping
- With Fuse



Size (WxHxD): 250 x 145 x 298 mm Weight: 1.9 kg

Additional Information: IP-67

Optional junction box JB-15T

3006206019

RS-3C RACK 3HU, TERMINALS F/230VAC/24VDC IN/OUT

- 19", 3U cabinet prepared for amplifier
- Prepared with necessary terminals for signal in/out and power supply



Size (WxHxD): 520 x 450 x 180mm
Weight: 6.0 kg

Additional Information: See page 18 for amplifiers VPA-120, VPA-240 and VPA-400

VINGTOR PRODUCT CATALOGS

BATTERYLESS TELEPHONE SYSTEMS	A100K11295
TALK BACK & INTERCOM SYSTEM SYSTEMS	A100K11296
SPA-V2 PUBLIC ADDRESS SYSTEM	A100K11298
EXIGO IP PUBLIC ADDRESS & GENERAL ALARM SYSTEM	A100K11384
ACM FAMILY & PULSE SYSTEMS	A100K11297
LOCAL AREA NETWORK	A100K11441
WIRELESS SOLUTIONS	A100K11299
RADIO SOLUTIONS	A100K11318
MASTER CLOCK, SOUND RECEPTION, HOSPITAL & REFRIGERATOR SYSTEMS	A100K11300
ENTERTAINMENT SYSTEMS	A100K11302
CCTV SYSTEMS	A100K11303
COMMON EQUIPMENT	A100K11301