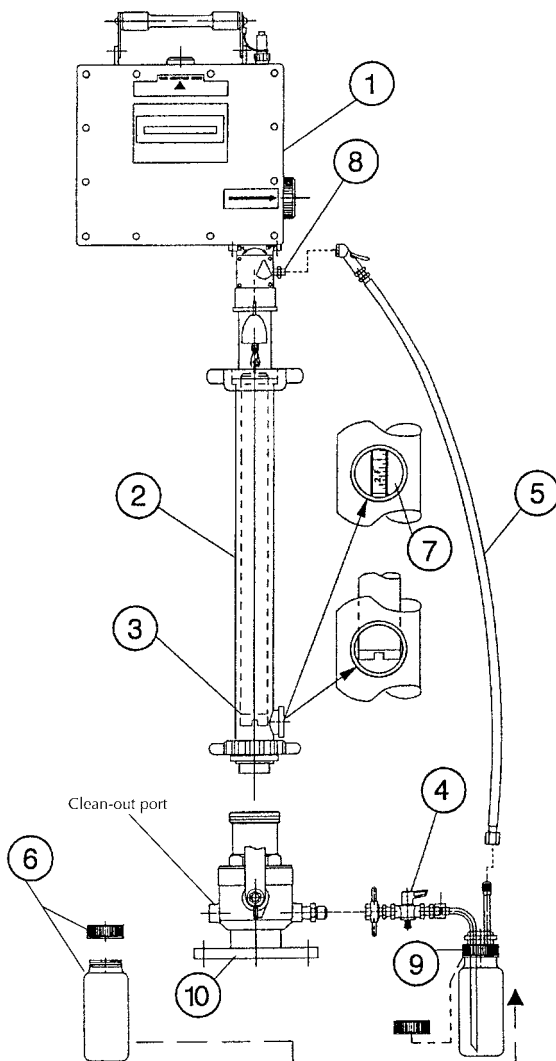


MMC INTERNATIONAL CORP.

FIXED-IN-PLACE SAMPLING & TANK DRYNESS SYSTEM

Gas-tight For Use In Closed System Applications

This system consists of a closed gas-tight sampling tape, with sampler, together with an MMC 2" (50mm) vapor-control sampling diverter valve in the BS series. Once the unit is attached to one of these valves, it forms a gas-tight system that can extract and bottle a sample without exposing it to the atmosphere. To maintain the system's gas-tight integrity, it employs a unique recovery hose to direct fumes from the sample bottle back to the tape housing. It meets all existing regulations covering this procedure. (3" valve available for 1 liter sampling.)



Installs in MMC vapor-control valve types BS and MBS, which are similar to the B and MB valves, respectively. They differ in that they contain a built-in port for use with the sampler shown on this page.

Supplied with standard brass or stainless steel innage bob and quick connect barrel for tank dryness checking. Specify type of bob preferred.

BASIC SYSTEM COMPONENTS

1. Gas-tight tape housing contains closed sampling tape, 100 ft. / 40m (includes component #2 thru #6).
2. Sampler storage barrel for attachment to any MMC vapor-control valve.
3. 1/2L zone sampler.
4. Flow control valve for sample bottle fill attachment.
5. Vapor return hose assembly connected to tape housing.
6. Plastic carrying case with instruction manual. 4, 6, 8 or 12 1/2L laboratory grade, non-breakable sampling bottles also available with carrying racks.
7. Built-in tape-viewing port.
8. Vapor return check valve.
9. Bottle securing cap is a permanent part of the fill attachment.
10. MBS valve shown for fixed-in-place sampling.

Restricted and Closed Electronic Gauging Tapes • Tank Sampling Systems
 Vapor Control Valves • Restricted and Closed Sampling Systems
 C-L Couplings • C-L and Centalock Covers



Phone: 1-800-645-7339
 Web: <http://www.mmciintl.com>
 E-Mail: info@mmciintl.com
 TradeNet ID 52539