

MMC INTERNATIONAL CORP.

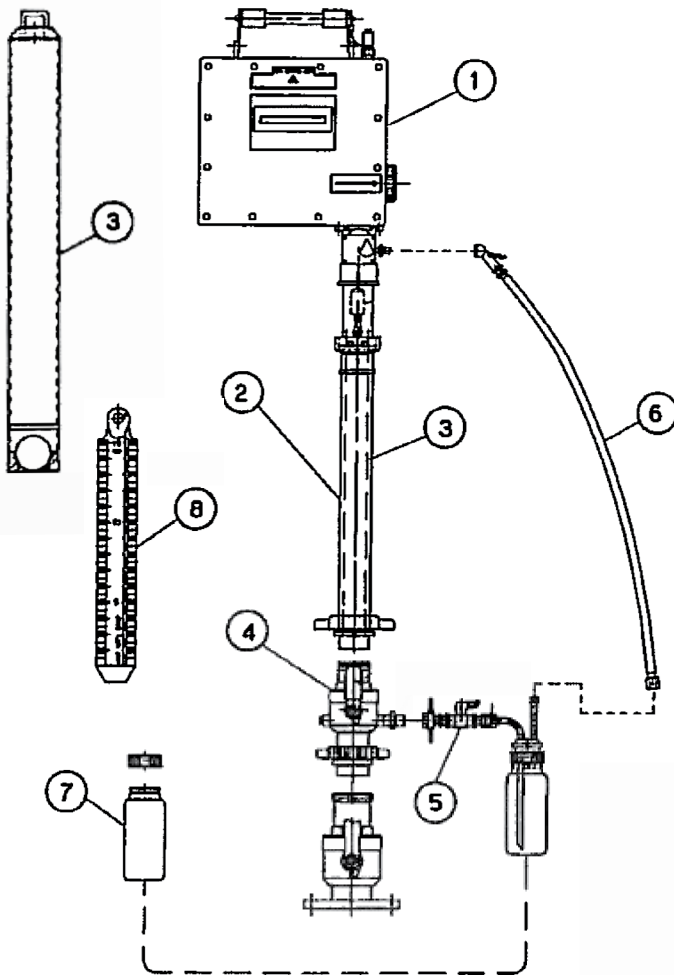
CLOSED SAMPLING & TANK DRYNESS SYSTEM

Gas-tight For Closed Systems Applications

(B-2562-406)

This instrument, with its sample collection assembly valve, operates independently of a cargo tank's vapor-control valve. Once the unit is attached to an existing 2" (50mm) vapor-control valve (with or without an adaptor) it forms a gas-tight system that can extract and bottle a sample without exposing it to the atmosphere. To maintain the system's gas-tight integrity, it employs a unique recovery hose to direct fumes from the sample bottle back to the tape housing. It meets all existing regulations covering this procedure.

Supplied with standard brass or stainless steel innage bob and quick connect barrel for tank dryness checking. Specify type of bob preferred.



Sampler installs in existing vapor-control ball valves: MMC types B*, MB*, F50 and C50 without adapters. All other valves require a special adapter.

**These valves are shown on another page.*

BASIC SYSTEM COMPONENTS

1. Gas-tight tape housing contains closed sampling tape, 100 ft. / 40m
2. Sampler storage barrel
3. 1/2L zone sampler
4. Sample collection valve
5. Flow-control valve to sample bottle fill attachment
6. Vapor return hose assembly connected to tape housing
7. (1 PC) 1/2L sample bottle, HDPE. 6, 8, 12 per carton. Individual self-sealing caps
8. 24mm Innage bob
 - Actuator handle for sampling valve, shown in open position (90° to close)
 - Bottle securing cap is a permanent part of the fill attachment
 - Standard B or MB vapor valve. Adaptors available to fit other makers' valves



Keeping You In Control
1-800-645-7339
TradeNet ID 52539

MMC International Corporation
60 Inip Drive
Inwood, NY 11096-0664 U.S.A.
Phone: 1-800-645-7339
Fax: 1-516-371-3134
E-mail: info@mmcintl.com
Web Site: <http://www.mmcintl.com>

MMC (Europe) Ltd.
So. Nelson Rd., So. Nelson Industrial Estate
Cramlington, Northumberland
NE23 9WF UK
Phone: (01670) 738111
info@mmc-europe.co.uk
Fax: (01670) 738789

MMC (Asia) Ltd.
7-7, 2-Chome
Kotonoo-Cho
Chuo-ku, Kobe 651 Japan
Phone: (078) 251-0061
info@mmcasia.co.jp
Fax: (078) 252-0265