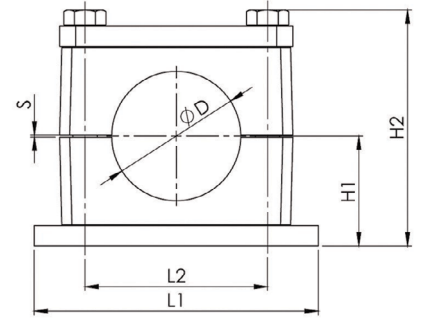
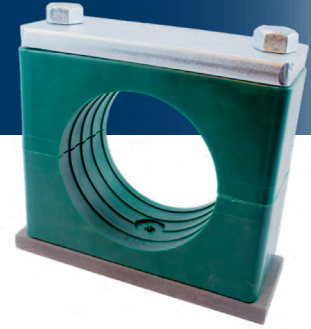


WORLD WIDE METRIC

Heavy Series Clamp Kits

DIN 3015/2



Group	Ø mm	NB in	Ø in	L1	L2	H1	H2	S min.	Width	Item No.
H5	73		2-7/8	180	122	70	150	2	60	HCH-073.0-STU
	76.1	R 2-1/2	3							HCH-076.1-STU
	80									HCH-080.0-STU
	82.5		3-1/4							HCH-082.5-STU
	88.9	R 3	3-1/2							HCH-088.9-STU
H6	100			226	168	99	211	2	80	HCH-100.0-STU
	101.6	R 3-1/2								HCH-101.6-STU
	108		4-1/4							HCH-108.0-STU
	114.3	R 4								HCH-114.3-STU
	127		5							HCH-127.0-STU
	133		5-1/4							HCH-133.0-STU
H7	139.7	R 5		270	205	115	245	3	90	HCH-139.7-STU
	152.4		6							HCH-152.4-STU
	159		6-1/4							HCH-159.0-STU
	165		6-1/2							HCH-165.0-STU
	168.3	R 6								HCH-168.3-STU
H8	177.8		7	340	265	160	339	3	120	HCH-177.8-STU
	193.7		7-5/8							HCH-193.7-STU
	216		8-1/2							HCH-216.0-STU
	219.1	R 8								HCH-219.1-STU
H9	244.5			520	395	235	489	8	160	HCH-244.5-STU
	273	R 10								HCH-273.0-STU
	323.9	R 12								HCH-323.9-STU
H10	355.6	R 14		680	534	295	609	18	180	HCH-355.6-STU
	406.4	R 16								HCH-406.4-STU

KIT CONTENTS

- (1) Polypropylene Clamp Body
- (1) Galvanized Steel Cover Plate
- (1) Phosphated Steel Weld Plate
- (2) Galvanized Steel Hex Head Bolts

Heavy Series Clamp Kits are also available with 316 Stainless Steel hardware.

KIT OPTIONS

HARDWARE MATERIAL

Carbon Steel (ST 37-2) is standard

For 316 Stainless Steel, **CHANGE -ST to -SS** on the item number.

*** ORDERING EXAMPLE**
HCH-006.0-SSU

THREAD

UNC is standard

For metric, **CHANGE "U" to "M"** on the item number

*** ORDERING EXAMPLE**
HCH-006.0-STM



EAST COAST
Branchburg, NJ
Tel: 732.247.2300
Fax: 732.247.7258

GULF COAST
Houston, TX
Tel: 713.682.2400
Fax: 713.682.2624

SOUTHEAST
Davie, FL
Tel: 954.321.0784
Fax: 954.321.2591

WEST COAST
Paramount, CA
Tel: 562.633.4141
Fax: 562.633.3280