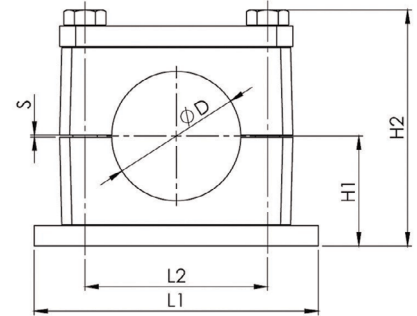
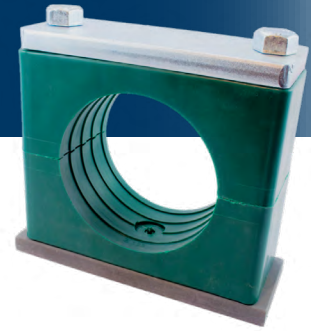


WORLD WIDE METRIC

Heavy Series Clamp Kits

DIN 3015/2



Group	Ø mm	NB in	Ø in	L1	L2	H1	H2	S min.	Width	Item No.
H1	6			74	33	24	55	0.6	30	HCH-006.0-STU*
	6.4		1/4							HCH-006.4-STU
	8		5/16							HCH-008.0-STU
	9.5		3/8							HCH-009.5-STU
	10	R 1/8								HCH-010.0-STU
	12									HCH-012.0-STU
	12.7		1/2							HCH-012.7-STU
	13.5	R 1/4								HCH-013.5-STU
	14									HCH-014.0-STU
	15									HCH-015.0-STU
	16		5/8							HCH-016.0-STU
	17.2	R 3/8								HCH-017.2-STU
	18									HCH-018.0-STU
H2	19		3/4	86	45	32	71	0.6	30	HCH-019.0-STU
	20									HCH-020.0-STU
	21.3	R 1/2								HCH-021.3-STU
	22		7/8							HCH-022.0-STU
	25									HCH-025.0-STU
	25.4		1							HCH-025.4-STU
	26.9	R 3/4								HCH-026.9-STU
	28									HCH-028.0-STU
	30									HCH-030.0-STU
H3	32		1-1/4	100	60	38	83	0.6	30	HCH-032.0-STU
	33.7	R 1								HCH-033.7-STU
	35									HCH-035.0-STU
	38		1-1/2							HCH-038.0-STU
	40									HCH-040.0-STU
H4	42	R 1-1/4		140	90	54.5	117	2	45	HCH-042.0-STU
	44.5		1-3/4							HCH-044.5-STU
	48.3	R 1-1/2								HCH-048.3-STU
	50.8		2							HCH-050.8-STU
	55									HCH-055.0-STU*
	57		2-1/4							HCH-057.0-STU
	60.3	R 2								HCH-060.3-STU
	63.5		2-1/2							HCH-063.5-STU
	65									HCH-065.0-STU
70		2-3/4	HCH-070.0-STU							

KIT CONTENTS

- (1) Polypropylene Clamp Body
- (1) Galvanized Steel Cover Plate
- (1) Phosphated Steel Weld Plate
- (2) Galvanized Steel Hex Head Bolts

Heavy Series Clamp Kits are also available with 316 Stainless Steel hardware.

KIT OPTIONS

HARDWARE MATERIAL

Carbon Steel (ST 37-2) is standard

For 316 Stainless Steel, **CHANGE -ST to -SS** on the item number.

* **ORDERING EXAMPLE**
HCH-006.0-SSU

THREAD

UNC is standard

For metric, **CHANGE "U" to "M"** on the item number

* **ORDERING EXAMPLE**
HCH-006.0-STM



EAST COAST
Branchburg, NJ
Tel: 732.247.2300
Fax: 732.247.7258

GULF COAST
Houston, TX
Tel: 713.682.2400
Fax: 713.682.2624

SOUTHEAST
Davie, FL
Tel: 954.321.0784
Fax: 954.321.2591

WEST COAST
Paramount, CA
Tel: 562.633.4141
Fax: 562.633.3280