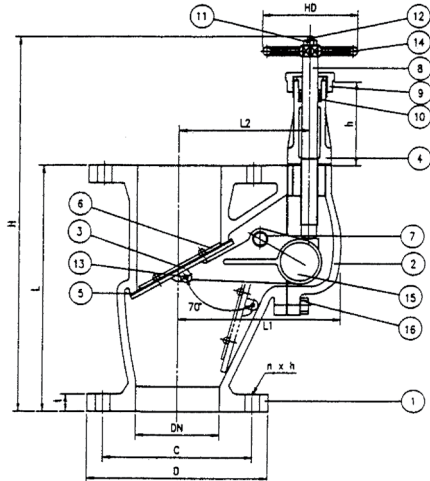


## DIN VALVES



### PN10 DIN VERTICAL STORM VALVE

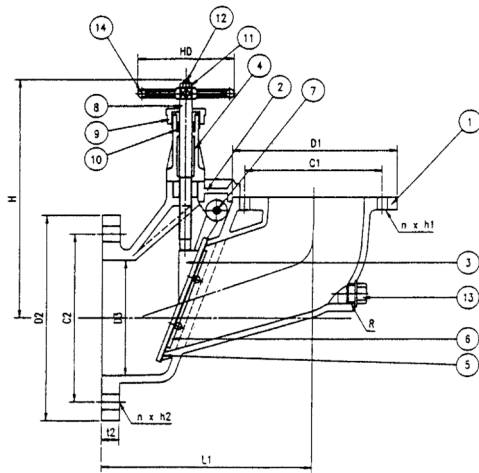
Nominal Pressure: 1 kp/cm<sup>2</sup>

Test Pressure: 5 kp/cm<sup>2</sup>

No.	Part	Material	No.	Part	Material
1	Body	SC49	9	Packing Gland	Brass
2	Cover	SC49	10	Packing	ABS
3	Disc	BC6	11	Nut	Brass
4	Bushing	BC6	12	Split Pin	Brass
5	Seat	NBR	13	Pin	Brass
6	Plate	Brass	14	Handle	FC20
7	Plug	Brass	15	Weight	Lead
8	Stem	Brass	16	Bolt & Nut	Brass

DN	t	D	C	n x h	L	H	L1	L2	h	HD
50	18	165	125	4 x 18	200	356	137	110	95	100
65	18	185	145	4 x 18	240	396	148	120	95	100
80	20	200	160	8 x 18	260	450	174	140	95	100
100	20	220	180	8 x 18	300	490	195	155	95	100
125	22	250	210	8 x 18	350	572	216	175	95	125
150	22	285	240	8 x 22	400	622	242	195	95	125

Dimensions in millimeters



### PN10 DIN ANGLE STORM VALVE

Nominal Pressure: 1 kp/cm<sup>2</sup>

Test Pressure: 5 kp/cm<sup>2</sup>



No.	Part	Material	No.	Part	Material
1	Body	SC49	8	Stem	Brass
2	Cover	SC49	9	Packing Gland	Brass
3	Disc	BC6	10	Packing	ABS
4	Bushing	BC6	11	Nut	Brass
5	Seat	NBR	12	Split Pin	Brass
6	Plate	Brass	13	Drain Plug	Brass
7	Plug	Brass	14	Handle	FC20

DN	t1	t2	D1	D2	D3	C1	n x h1	C2	n x h2	L1	R	H	H2	HD
50	13	14	165	200	68	125	4 x 18	160	8 x 18	180	R1/2"	333	90	100
65	14	15	185	220	85	145	4 x 18	180	8 x 18	200	R5/8"	341	99	100
80	14	15	200	250	100	160	8 x 18	210	8 x 18	215	R3/4"	351	108	100
100	14	17	220	285	130	180	8 x 18	240	8 x 22	250	R1"	413	130	100
125	16	18	250	315	158	210	8 x 18	270	8 x 22	290	R1"	438	152	125
150	18	20	285	340	190	240	8 x 22	295	8 x 22	330	R1"	465	176	125

Dimensions in millimeters



**EAST COAST**  
Branchburg, NJ  
Tel: 732.247.2300  
Fax: 732.247.7258

**GULF COAST**  
Houston, TX  
Tel: 713.682.2400  
Fax: 713.682.2624

**SOUTHEAST**  
Davie, FL  
Tel: 954.321.0784  
Fax: 954.321.2591

**WEST COAST**  
Paramount, CA  
Tel: 562.633.4141  
Fax: 562.633.3280