

**CAST STEEL YOKE TYPE
GATE VALVES**

DIN VALVES



Dimensions in millimeters

S 38.1 111-540/240

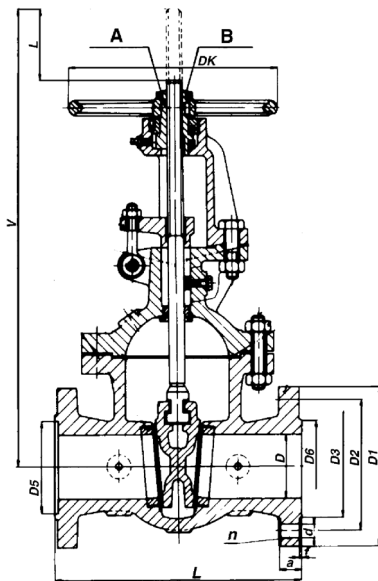
DN	D	L	V	Z	D ₁	D ₂	D ₃	D ₆	a	f	d	n	Dk	l	Design	Wt.(kg)
40	40	240	418	55	145	110	88	85	18	3	18	4	200	—	A	26.5
50	50	250	426	67	160	125	102	95	20	3	18	4	200	—	A	30.5
65	70	290	520	86	180	145	122	115	22	3	18	8	250	—	A	40
80	80	310	555	95	195	160	138	130	24	3	18	8	250	—	A	53
100	100	350	644	120	230	190	162	150	24	3	23	8	250	—	A	66
125	125	400	746	145	270	220	188	175	26	3	27	8	315	300	A	103
150	150	450	855	172	300	250	218	200	28	3	27	8	400	340	A	146
200	200	550	1065	225	375	325	280	260	34	3	30	12	500	380	A	223
250	250	650	1268	278	445	385	345	315	38	3	33	12	500	420	B	383
300	300	750	1452	330	510	450	410	365	42	4	33	16	500	440	B	520
350	350	850	1607	363	570	510	465	415	46	4	33	16	560	470	B	700
400	400	950	1837	420	655	585	535	475	50	4	40	16	630	500	B	910
500	500	1150	2239	520	755	670	615	580	52	4	42	20	710	580	B	1448

S 38.1 111-564/264

DN	D	L	V	Z	D ₁	D ₂	D ₃	D ₅	D ₆	a	f, f ₂	d	n	Dk	l	Design	Wt.(kg)
50	50	250	426	67	175	135	108	88	100	26	3	23	4	200	—	A	38
65	70	290	520	86	200	160	132	110	120	26	3	23	8	250	—	A	53
80	80	310	555	96	210	170	142	121	135	28	3	23	8	250	—	A	66
100	100	350	664	120	250	200	170	150	160	30	3	27	8	315	—	A	92
125	125	400	746	145	295	240	—	176	190	34	3	30	8	315	300	A	131
150	150	450	921	175	340	280	—	204	220	36	3	33	8	500	340	B	210
200	200	550	1090	225	405	345	—	260	275	42	3	33	12	500	380	B	333
250	250	650	1335	275	470	400	—	313	325	46	3	36	12	630	420	B	495
300	300	750	1514	330	530	460	—	365	375	52	4	36	16	630	460	B	675
350	350	850	1622	358	595	525	—	422	435	56	4	40	16	630	500	B	911
400	400	950	1837	420	670	585	—	474	485	60	4	42	16	630	530	B	1206

S 38.1 111-5100/2100

DN	D	L	V	Z	D ₁	D ₂	D ₃	D ₅	D ₆	a	f, f ₂	d	n	Dk	l	Design	Wt.(kg)
40	38.5	240	418	55	165	125	96	76	85	26	3	23	4	200	—	A	33
50	49	250	426	67	195	145	115	88	100	28	3	27	4	200	—	A	42
65	66	290	520	86	220	170	140	110	120	30	3	27	8	250	—	A	60
80	78	310	555	96	230	180	150	121	135	32	3	27	8	250	—	A	77
100	95	350	664	120	265	210	175	150	160	36	3	30	8	315	—	A	120
125	117	400	746	145	310	250	—	176	190	40	3	33	8	315	300	A	164
150	139	450	921	175	350	290	—	204	220	44	3	33	12	500	340	B	261
200	191	550	1090	225	430	360	—	260	275	52	3	36	12	500	380	B	434
250	241	650	1335	275	500	430	—	313	325	60	3	40	12	630	420	B	689
300	284	750	1514	330	585	500	—	364	375	68	4	42	16	630	460	B	1000



TO ORDER: In an order, it is necessary to state the kind of the gate valve and its production no., nominal inside diameter, through-flowing medium and its working overpressure, temperature and pressure gradient on the closure.

- PN 25** S 38.1 111-525
S 38.1 111-225
- PN 40** S 38.1 111-540
S 38.1 111-240
- PN 64** S 38.1 111-564
S 38.1 111-264
- PN 100** S 38.1 111-5100
S 38.1 111-2100

PN	Material of Valve Body	Highest permissible working overpressure in MPa at temperatures up to °C															
		-55	-50	-25	200	300	400	425	450	475	500	525	550				
25	42 2643.1	—	—	2.5	2.5	2.0	1.6	1.4	1.1	—	—	—	—	—	—	—	—
25	42 2744.5	—	—	—	2.5	2.2	2.0	1.9	1.8	1.7	1.6	1.6	1.6	1.6	1.6	1.6	1.6
25	42 2714.9	2.5	2.5	2.5	2.5	2.0	1.6	—	—	—	—	—	—	—	—	—	—
40	42 2643.1	—	—	4.0	4.0	3.2	2.5	2.2	1.8	—	—	—	—	—	—	—	—
40	42 2744.5	—	—	—	4.0	3.6	3.2	3.1	2.9	2.8	2.7	2.6	2.5	—	—	—	—
40	42 2714.9	4.0	4.0	4.0	4.0	3.2	2.5	—	—	—	—	—	—	—	—	—	—
64	42 2643.1	—	—	6.3	6.3	5.0	4.0	3.6	2.8	—	—	—	—	—	—	—	—
64	42 2744.5	—	—	—	6.3	5.7	5.0	4.9	4.7	4.5	4.3	4.2	4.0	—	—	—	—
64	42 2714.9	6.3	6.3	6.3	6.3	5.0	4.0	—	—	—	—	—	—	—	—	—	—
100	42 2643.1	—	—	10.0	10.0	8.0	6.3	5.6	4.4	—	—	—	—	—	—	—	—
100	42 2744.5	—	—	—	10.0	8.9	8.0	7.7	7.4	7.0	6.7	6.5	6.3	—	—	—	—
100	42 2714.9	10.0	10.0	10.0	10.0	8.0	6.3	—	—	—	—	—	—	—	—	—	—



EAST COAST
Branchburg, NJ
Tel: 732.247.2300
Fax: 732.247.7258

GULF COAST
Houston, TX
Tel: 713.682.2400
Fax: 713.682.2624

SOUTHEAST
Davie, FL
Tel: 954.321.0784
Fax: 954.321.2591

WEST COAST
Paramount, CA
Tel: 562.633.4141
Fax: 562.633.3280