

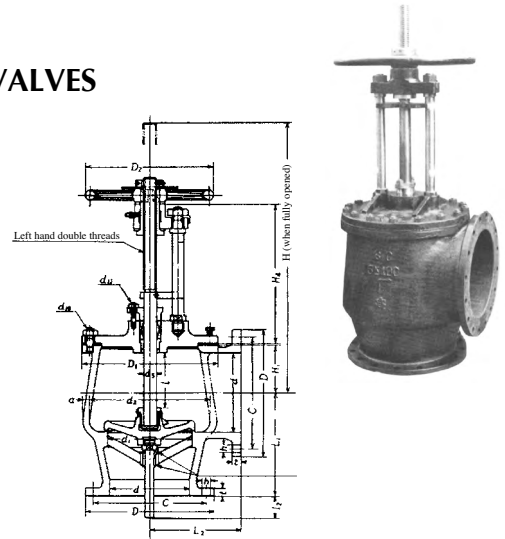
## JIS VALVES

### JIS F7350 – 5 kgf/cm<sup>2</sup> and 10 kgf/cm<sup>2</sup> HULL CAST STEEL ANGLE VALVES

Flange Dimension: 10kgf/cm<sup>2</sup> Changeable to 5kgf/cm<sup>2</sup>

Size	d	d <sub>1</sub>	L <sub>1</sub>	L <sub>2</sub>	D	C	No.	h	Bolt	t	H	I	D <sub>2</sub>	a	D <sub>1</sub>	d <sub>5</sub>	d <sub>6</sub>	(kg)
200	200	213	265	230	330	290	12	23	M20	22	700	140	355	18	335	36	TW36	146
250	250	268	325	290	400	355	12	25	M22	24	835	175	400	20	425	42	TW42	237
300	300	320	365	320	445	400	16	25	M22	24	970	210	450	22	465	46	TW46	313
350	335	350	360	320	490	445	16	25	M22	26	1010	248	500	22	510	48	TW48	376
400	380	400	400	350	560	510	16	27	M24	28	1130	285	600	23	565	52	TW52	490
450	430	450	450	380	620	565	20	27	M24	30	1250	320	710	24	620	58	TW58	632
500	480	505	500	430	675	620	20	27	M24	30	1380	355	800	25	695	65	TW65	839
550	530	555	550	460	745	680	20	33	M30	32	1505	392	900	26	755	70	TW70	1060
600	580	610	610	500	795	730	24	33	M30	32	1630	428	900	27	820	75	TW75	1270
650	630	660	660	540	845	780	24	33	M30	34	1765	465	1000	28	890	82	TW82	1590
700	680	710	710	570	905	840	24	33	M30	34	1890	500	1000	29	950	90	TW90	1930
750	730	765	760	610	970	900	24	33	M30	36	2005	535	1250	30	1015	95	TW95	2300
800	780	815	810	650	1020	950	28	33	M30	36	2115	570	1250	31	1035	100	TW100	2720

Unit: mm



## ANSI 150 LB. GATE VALVE

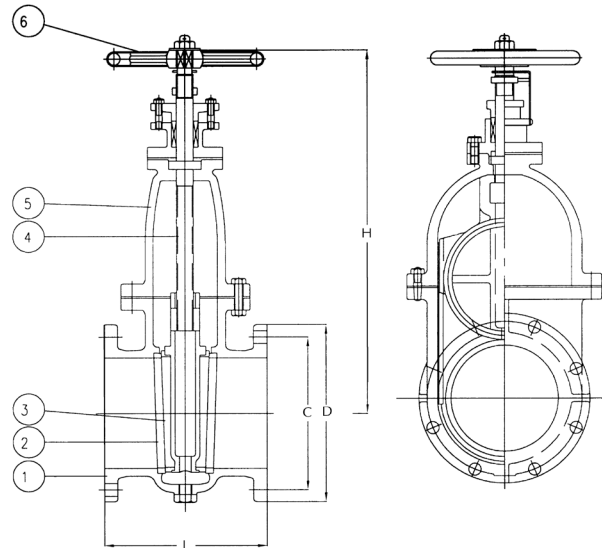
Bronze (Stainless Steel Trim) or Steel (Stellite Trim) – Non-Rising Stem

### Material Table Steel Valve

No.	Descriptions	Material
1	Body	Steel A216
2	Seat	Stellite
3	Disc	Stellite
4	Stem	13 Cr St Steel
5	Bonnet	Steel A216
6	Hand Wheel	Iron A-197

### Material Table Bronze Valve

No.	Descriptions	Material
1	Body	Bronze
2	Seat	316 Stainless Steel
3	Disc	316 Stainless Steel
4	Stem	SUS 403
5	Bonnet	Bronze BC-6
6	Hand Wheel	Iron A-197



Size	2"	2-1/2"	3"	4"	5"	6"	8"	10"	12"
Face to Face L	7"	7-1/2"	8"	9"	10"	10-1/2"	11-1/2"	13"	14"
Valve Height H	11-7/8"	13-7/8"	15-5/8"	17-5/8"	20-1/2"	22-5/8"	27-1/2"	33"	37-5/8"
Flange Diam. D	6"	7"	7-1/2"	9"	10"	11"	13-1/2"	16"	19"
Bolt Circle C	4-3/4"	5-1/2"	6"	7-1/2"	8-1/2"	9-1/2"	11-3/4"	14-1/4"	17"



**EAST COAST**  
Branchburg, NJ  
Tel: 732.247.2300  
Fax: 732.247.7258

**GULF COAST**  
Houston, TX  
Tel: 713.682.2400  
Fax: 713.682.2624

**SOUTHEAST**  
Davie, FL  
Tel: 954.321.0784  
Fax: 954.321.2591

**WEST COAST**  
Paramount, CA  
Tel: 562.633.4141  
Fax: 562.633.3280