

WOUTER WITZEL

BUTTERFLY VALVES

These DIN valves are available with DIN, ANSI or JIS flange drilling (see flange drilling chart below and on next page). Specify when ordering.



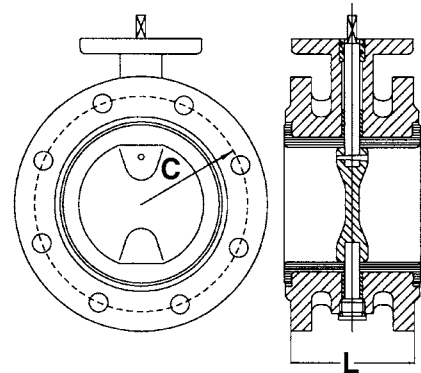
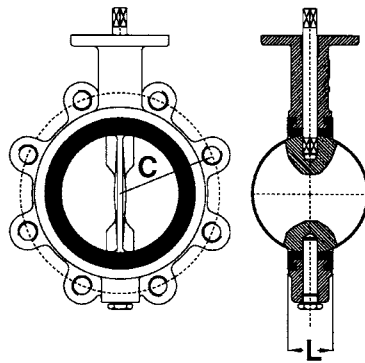
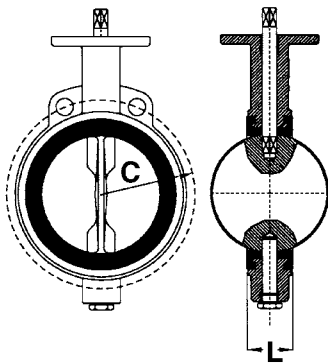
Wafer Pattern
EVS, EVL
(short and long pattern)



Lug Pattern
EVTLS



Flanged Pattern
EVFS, EVFL
(short and long pattern)



Face-To-Face Dimension Chart					Flange Dimension Chart						
SIZE	EVS, EVCS, EVBS, EVTLS, EVMS, EVBLS	EVL, EVML, ECV	EVFS	EVFL	Notation (L) = Face to Face, (n-h) = Number of Holes, (C) = Bolt Circle, (Bolt) = Size of Hole						
					DIN SIZE	PN6		PN10		PN16	
	L	L	L	L		C	n-h Bolt	C	n-h Bolt	C	n-h Bolt
50	43	43	108	150	50	110	4 x 14	125	4 x 18	125	4 x 18
65	46	46	112	170	65	130	4 x 14	145	4 x 18	145	4 x 18
80	46	64	114	180	80	150	4 x 18	160	8 x 18	160	8 x 18
100	52	64	127	190	100	170	4 x 18	180	8 x 18	180	8 x 18
125	56	70	140	200	125	200	8 x 18	210	8 x 18	210	8 x 18
150	56	76	140	210	150	225	8 x 18	240	8 x 22	240	8 x 22
200	60	89	152	230	200	280	8 x 18	295	8 x 22	295	12 x 22
250	68	114	165	250	250	335	12 x 18	350	12 x 22	355	12 x 26
300	78	114	178	270	300	395	12 x 22	400	12 x 22	410	12 x 26
350	78	127	190	290	350	445	12 x 22	460	16 x 22	470	16 x 26
400	102	140	216	310	400	495	16 x 22	515	16 x 26	525	16 x 30
450	114	152	222	330	450	550	16 x 22	565	20 x 26	585	20 x 30
500	127	152	229	350	500	600	20 x 22	620	20 x 26	650	20 x 33
600	154	178	267	390	600	705	20 x 26	725	20 x 30	770	20 x 36

Type Approvals from LRS, DNV, ABS, BV, GL, RINA, NKK and many others.



Distributed in North America by
World Wide Metric Inc.

EAST COAST
Branchburg, NJ
Tel: 732.247.2300
Fax: 732.247.7258

GULF COAST
Houston, TX
Tel: 713.682.2400
Fax: 713.682.2624

SOUTHEAST
Davie, FL
Tel: 954.321.0784
Fax: 954.321.2591

WEST COAST
Paramount, CA
Tel: 562.633.4141
Fax: 562.633.3280