

BUTTERFLY VALVES

These JIS valves are available with JIS, DIN, or ANSI flange drilling (see flange drilling chart below and on next page). Specify when ordering.



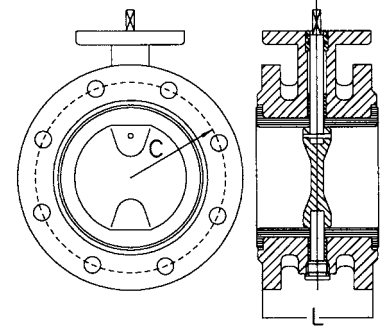
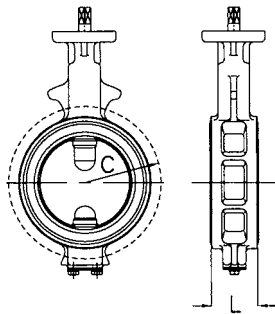
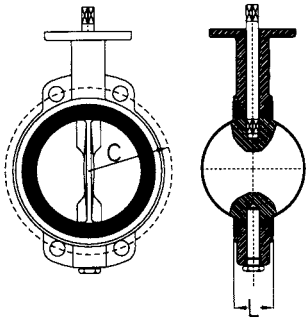
700S
Standard Marine
Butterfly Valve



700G
Butterfly Valve with Cosine Curve Seat
allowing operation with a small actuator



720F
Flanged
Steel Body
Butterfly
Valve



Face-To-Face Dimension Chart				Flange Dimension Chart							
				Notation (L) = Face to Face (C) = Bolt Circle (n-h) = Number of Holes (Bolt) = Size of Hole							
JIS	700S	700G	720F	JIS	5K		10K		ANSI	150 Lbs.	
Size	L	L	L	Size	C	n-h Bolt	C	n-h Bolt	C	n-h Bolt	
50	45	43	45	50	105	4 x 15	120	4 x 19	121	4 x 20	
65	45	46	45	65	130	4 x 15	140	4 x 19	140	4 x 20	
80	50	46	50	80	145	4 x 19	150	8 x 19	152	8 x 20	
100	50	52	50	100	165	8 x 19	175	8 x 19	190	8 x 20	
125	55	56	100	125	200	8 x 19	210	8 x 23	216	8 x 23	
150	60	56	100	150	230	8 x 19	240	8 x 23	241	8 x 23	
200	65	60	100	200	280	8 x 23	290	12 x 23	298	8 x 23	
250	80	68	110	250	345	12 x 23	355	12 x 25	362	12 x 26	
300	90	78	110	300	390	12 x 23	400	16 x 25	431	12 x 26	
350	100	-	120	350	435	12 x 25	445	16 x 25	476	12 x 28	
400	110	-	130	400	495	16 x 25	510	16 x 27	540	16 x 27	
450	120	-	150	450	555	16 x 25	565	20 x 27	578	16 x 32	
500	140	-	160	500	605	20 x 25	620	20 x 27	635	20 x 32	
600	160	-	170	600	715	20 x 27	730	24 x 33	750	20 x 35	

Unit: mm

Body
Cast Iron
Ductile Iron
Carbon Steel
Stainless Steel
Bronze

Seat
NBR
EPDM
Viton (FKM)
Teflon (PTFE)

Materials Chart
To order, specify size,
body, seat, disc, stem,
flange drilling and
actuation.

Disc
Stainless Steel
Alum-Bronze

Stem
Stainless Steel

Actuation
Lever
Worm Gear
Electric
Pneumatic
Hydraulic



EAST COAST
Branchburg, NJ
Tel: 732.247.2300
Fax: 732.247.7258

GULF COAST
Houston, TX
Tel: 713.682.2400
Fax: 713.682.2624

SOUTHEAST
Davie, FL
Tel: 954.321.0784
Fax: 954.321.2591

WEST COAST
Paramount, CA
Tel: 562.633.4141
Fax: 562.633.3280