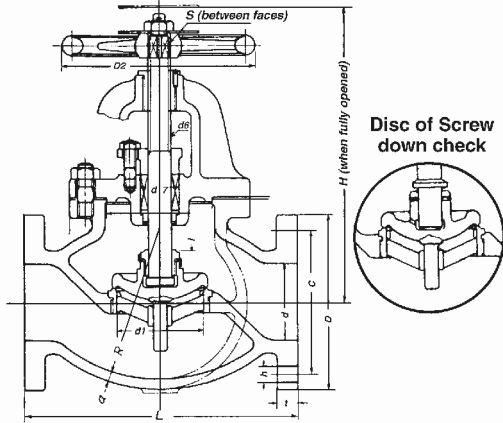


JIS VALVES

CAST IRON GLOBE VALVES with Bronze Trim

JIS F7309 – 16 kgf/cm² Cast Iron Globe Valves
 JIS F7377 – 16 kgf/cm² Cast Iron Screw-Down Check Globe Valves



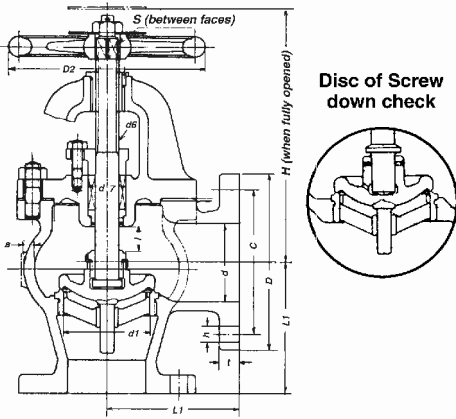
Size	d	d ₁	L	D	C	No.	h	Bolt	t	H	I	D ₂	a	d ₆	d ₇	(kg)
50	50	58	220	155	120	8	19	M16	20	285	17 (15)	160	10	TW22	36	19.6
65	65	73	270	175	140	8	19	M16	22	310	22 (17)	200	11	TW24	38	28.3
80	80	88	300	200	160	8	23	M20	24	340	27 (20)	224	12	TW26	42	40.4
100	100	111	350	225	185	8	23	M20	26	385	33 (25)	250	13	TW30	48	56.9
125	125	138	430	270	225	8	25	M22	26	455	42 (31)	315	15	TW36	56	89.5
150	150	163	500	305	260	12	25	M22	28	510	50 (37)	355	16	TW42	66	123
200	200	213	570	350	305	12	25	M22	30	630	67 (—)	450	19	TW48	74	188

Unit: mm

() Lift of Check Valves

CAST IRON ANGLE VALVES with Bronze Trim

JIS F7310 – 16 kgf/cm² Cast Iron Angle Valves
 JIS F7378 – 16 kgf/cm² Cast Iron Screw-Down Check Angle Valves



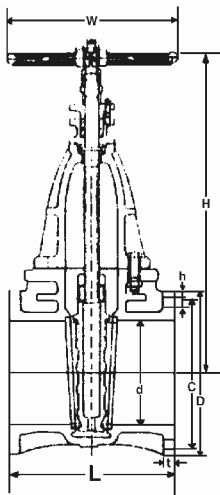
Size	d	d ₁	L ₁	D	C	No.	h	Bolt	t	H	I	D ₂	a	d ₆	d ₇	(kg)
50	50	58	120	155	120	8	19	M16	20	255	17 (15)	160	10	TW22	36	18.0
65	65	73	130	175	140	8	19	M16	22	270	22 (17)	200	11	TW24	38	25.0
80	80	88	150	200	160	8	23	M20	24	295	27 (20)	224	12	TW26	42	35.7
100	100	111	170	225	185	8	23	M20	26	330	33 (25)	250	13	TW30	48	49.2
125	125	138	200	270	225	8	25	M22	26	390	42 (31)	315	15	TW36	56	76.1
150	150	163	225	305	260	12	25	M22	28	435	50 (37)	355	16	TW42	66	103
200	200	213	250	350	305	12	25	M22	30	540	67 (—)	450	19	TW48	74	155

Unit: mm

() Lift of Check Valves

CAST IRON GATE VALVES with Bronze Trim

JIS F7369 – 16 kgf/cm² Cast Iron Gate Valves



Size	d	L	Flange						H	W	Weight (kg)
			D	Bolt Hole			Bolt Size	t			
				C	No.	h					
50	50	210	155	120	8	19	M16	20	300	140	19.5
65	65	240	175	140	8	19	M16	22	350	160	28
80	80	260	200	160	8	23	M20	24	400	180	35
100	100	290	225	185	8	23	M20	26	450	200	50
125	125	310	270	225	8	25	M22	26	520	250	70
150	150	330	305	260	12	25	M22	28	580	280	100
200	200	370	350	305	12	25	M22	30	700	355	150
250	250	430	430	380	12	27	M24	34	845	450	250
300	300	490	480	430	16	27	M24	36	1010	500	423
350	335	540	540	480	16	33	M30	38	1070	560	580
400	380	610	605	540	16	33	M30	42	1160	630	780

Unit: mm



EAST COAST
 Branchburg, NJ
 Tel: 732.247.2300
 Fax: 732.247.7258

GULF COAST
 Houston, TX
 Tel: 713.682.2400
 Fax: 713.682.2624

SOUTHEAST
 Davie, FL
 Tel: 954.321.0784
 Fax: 954.321.2591

WEST COAST
 Paramount, CA
 Tel: 562.633.4141
 Fax: 562.633.3280