

## STI MARINE

# Marine Firestop Foam

Two-component RTV silicone foam for use as a penetration seal for pipes and cables in fire-rated bulkheads and decks.

## PRODUCT FEATURES:

- Tested to IMO A.754 FTP (Class A0-A60, B0-B30, and H0-H120 Bulkheads and Decks).
- Highly resilient to accommodate vibration
- Mixed at a 1:1 ratio to form a soft foam
- Resistant to aging and weathering
- Ozone and UV Resistant
- For interior penetrations
- Uniform cell structure
- Easy to install and easy to repair

## INSTALLATION INSTRUCTIONS:

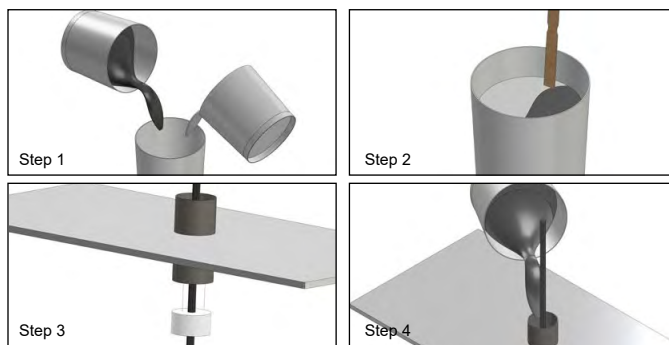
*General Note: Read Safety Data Sheets (SDS) and product label for safe handling.* All surfaces shall be clean, sound, dry, frost-free, and free of bond-breaking contaminants and loose material.

**Step 1:** Stir each pail with a clean paddle or mixer. For MRF520 cartridges, shake product package vigorously. Pour equal parts into single container.

**Step 2:** Mix equal parts of Part A & B. Mixing may be accomplished with paddle mixer in a container, or by specialized mixing and metering equipment. Mix aggressively for 30 seconds prior to pouring contents into penetration opening. For MRF520 cartridges, dispense material via static mixer supplied with cartridge.

**Step 3:** Install damming material. Note: Product is installed in liquid form and damming is required.

**Step 4:** Pour product into opening. Product will react in 90 seconds to 5 minutes and expand from 2 to 4 times its original volume. Incomplete mixing will result in a non-homogenous product with characteristic marbled appearance.

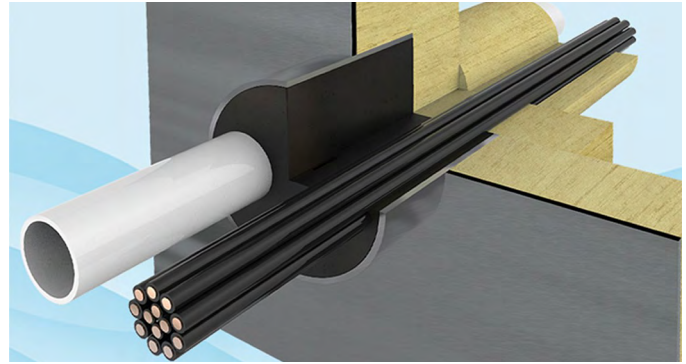


## MAINTENANCE:

This product is maintenance free. Observed damage can be repaired with Marine Cable Coating per the original approved design.

## WARRANTY INFORMATION

STI typically warrants its products for one full year. For complete details of our standard warranty, please visit [www.stimarine.com/warranty](http://www.stimarine.com/warranty).



## PHYSICAL PROPERTIES:

Property (As Supplied)	Part A	Part B
Appearance:	Black Liquid	Off-White Liquid
Specific Gravity:	1.21	1.21
Consistency:	Pourable	Pourable
Viscosity:	75 Poise	75 Poise
Storage Warranty Period:	6 Months	6 Months
Cured Properties:	Equal Parts A & B. 1:1 mix ratio as cured 12 hours @ 77°F	
Work Life (After Mix)**:	100 – 300 Seconds @ 77°F	
Appearance:	Black RTV Foam	
Density:	14 – 18 lb./cu. ft.	
Yield Per 100 lb. Kit:	5.5 – 7 cu. ft. (depending on density)	
Specific Gravity:	0.29	
Cellular Structure:	Approx. 50% Closed Cell	
Oxygen Index:	28 Minimum	
Application Temperature Range:	50° - 90°F	
Shelf Life:	18 Months	
In Service Temperature:	-35°F - 140°F	
Storage Temperature:	<80°F	

\* From data of shipment stored in original unopened container @ 80°F.

\*\* Work life is the time during which the product remains pourable after mixing at 1:1 ratio.

## ORDERING INFORMATION:

WWM Item #	Description
STI-MRF500	100 lb. kit (50 lb. A / 50 lb. B each in plastic pail)
STI-MRF520	20oz Dual Cartridge Part A & B



**EAST COAST**  
Branchburg, NJ  
Tel: 732.247.2300  
Fax: 732.247.7258

**GULF COAST**  
Houston, TX  
Tel: 713.682.2400  
Fax: 713.682.2624

**SOUTHEAST**  
Davie, FL  
Tel: 954.321.0784  
Fax: 954.321.2591

**WEST COAST**  
Paramount, CA  
Tel: 562.633.4141  
Fax: 562.633.3280