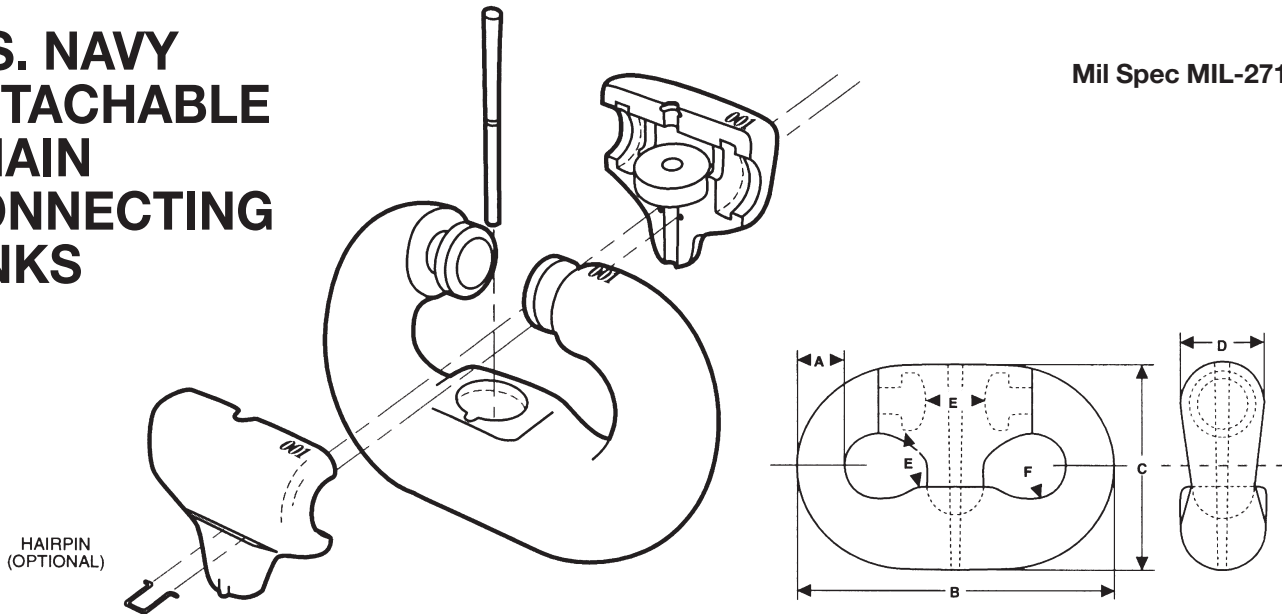


LISTER CHAIN & FORGE, INC.

U.S. NAVY DETACHABLE CHAIN CONNECTING LINKS

Mil Spec MIL-2710B



CHAIN SIZE		A	B	C	D	E	F	PROOF TEST LBS.	BREAK TEST LBS.	WT. LBS.
INCHES	MM									
*	3/4	19	4 1/2	3	1 3/64	27/32	1/2	67,500	91,100	2.1
*	13/16 - 7/8	21 - 22	5 1/4	3 1/2	1 7/32	63/64	19/32	88,200	119,000	3.4
*	15/16 - 1	24 - 25	6	4	1 25/64	1 1/8	21/32	116,100	156,700	5.1
*	1 1/16 - 1 1/8	27 - 29	6 3/4	4 1/2	1 9/16	1 17/64	47/64	145,000	195,000	7.2
*	1 3/16 - 1 1/4	30 - 32	7 1/2	5	1 47/64	1 13/32	13/16	178,200	240,600	9.9
*	1 5/16 - 1 3/8	33 - 34	8 1/4	5 1/2	1 29/32	1 35/64	29/32	211,500	285,500	13.3
*	1 7/16 - 1 1/2	36 - 38	9	6	2 5/64	1 11/16	63/64	252,000	340,200	17.3
*	1 9/16 - 1 5/8	40 - 42	9 3/4	6 1/2	2 1/4	1 53/64	1 1/16	292,500	395,000	22
*	1 11/16 - 1 3/4	43 - 44	10 1/2	7	2 7/16	1 31/32	1 3/16	352,000	476,000	27.5
	1 13/16 - 1 7/8	46 - 48	11 1/4	7 1/4	2 11/32	2 3/32	1 15/64	285,000	432,000	32
	1 15/16 - 2	50 - 51	12	7 3/4	2 1/2	2 5/16	1 5/16	322,000	488,000	36
	2 1/16 - 2 1/8	52 - 54	12 3/4	8 1/4	2 21/32	2 1/2	1 13/32	362,000	548,000	44
	2 3/16 - 2 1/4	56 - 58	13 1/2	8 23/32	2 13/16	2 5/8	1 1/2	403,000	610,000	52
	2 5/16 - 2 3/8	59 - 60	14 1/4	9 7/32	2 31/32	2 3/4	1 9/16	447,000	675,000	61
	2 7/16 - 2 1/2	62 - 64	15	9 11/16	3 1/8	2 7/8	1 21/32	492,000	744,000	71
	2 9/16 - 2 5/8	66 - 67	15 3/4	10 3/16	3 1/4	3 1/16	1 3/4	540,000	813,000	82
☆	2 11/16 - 2 3/4	68 - 70	16 1/2	10 13/16	3 11/16	3 1/4	1 13/16	649,000	981,000	100
☆	2 13/16 - 2 7/8	71 - 73	17 1/4	11 1/8	3 19/32	3 11/32	1 29/32	640,000	965,000	107
☆	2 15/16 - 3	75 - 76	18	11 7/8	4 3/32	3 3/8	1 29/32	762,000	1,150,000	145
	3 1/16 - 3 1/8	78 - 79	18 3/4	12 1/8	3 29/32	3 5/8	2 3/64	748,000	1,128,000	138
	3 3/16 - 3 1/4	81 - 83	19 1/2	12 5/8	4 1/16	3 5/8	2 5/32	805,000	1,250,000	161
	3 5/16 - 3 3/8	84 - 86	20 1/4	13 3/32	4 7/32	3 15/16	2 1/4	862,000	1,304,000	177
☆	3 7/16 - 3 1/2	87 - 89	21 1/8	13 25/32	4 13/16	4 1/8	2 13/32	1,080,000	1,700,000	205
	3 11/16 - 3 3/4	94 - 95	22 1/2	14 1/2	4 11/16	4 11/16	2 7/16	1,045,900	1,575,000	256
	4 3/4	120	28 1/2	18 7/16	5 15/16	5 1/2	3 1/8	1,700,000	2,550,000	590

* High Strength Pattern

☆ Heavy Duty Pattern

Military Specification MIL-L-2710



LISTER CHAIN & FORGE, INC.
 3810 Loomis Trail Rd., Blaine, WA 98230, U.S.A.
 Telephone: (360) 332-4323 • Fax: (360) 332-4247
 e-mail: inquiries@listerchain.com • www.listerchain.com