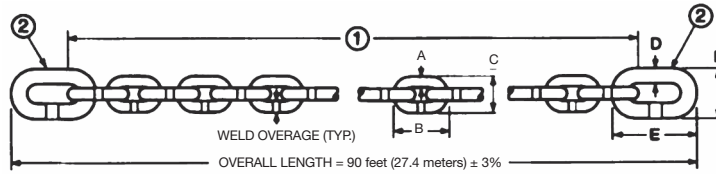


LISTER CHAIN & FORGE, INC.

BUOY CHAIN

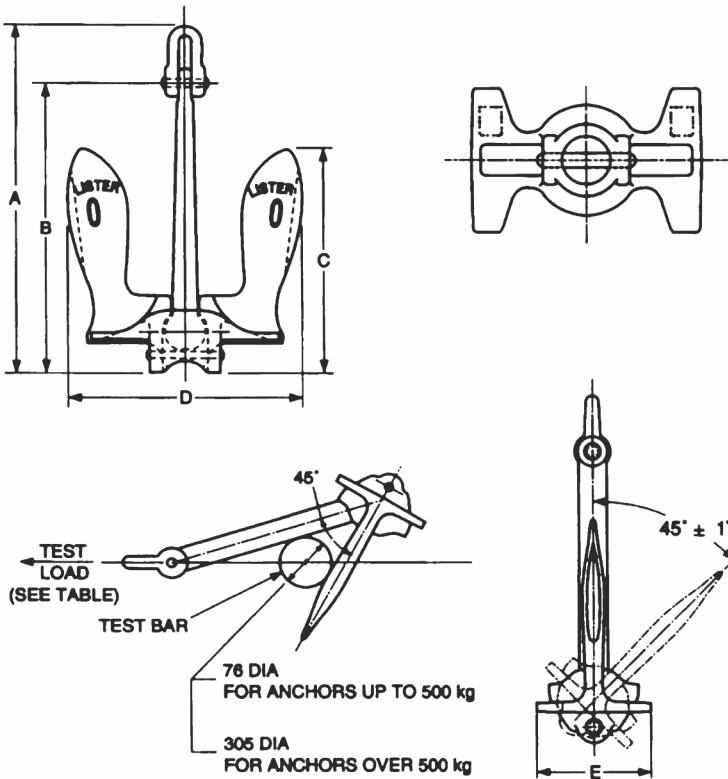


DIA. TOLERANCE		
(A & D)	PLUS	MINUS
1/2 - 1-1/2	1/32	1/64
1-5/8 - 2-1/8	1/16	1/64

1				2				Approx. Weight per Shot (lbs.)	PROOF LOAD (lbs.)	BREAK LOAD (lbs.)
A	B	C	Tolerance (B & C)	D	E	F	Tolerance (B & C)			
1/2	3	1-7/8	± 1/32	3/4	4-1/2	2-11/16	± 1/16	200	7,500	15,000
3/4	4-1/2	2-11/16	± 1/16	7/8	5-1/4	3-1/8	± 1/16	435	16,000	32,000
7/8	5-1/4	3-1/8	± 1/16	1-1/8	6-3/4	4	± 3/32	595	22,000	44,000
1	6	3-9/16	± 3/32	1-1/4	7-1/2	4-7/16	± 1/8	772	29,000	58,000
1-1/8	6-3/4	4	± 3/32	1-1/4	7-1/2	4-7/16	± 1/8	969	38,500	77,000
1-1/4	7-1/2	4-7/16	± 1/8	1-1/2	9	5-5/16	± 5/32	1204	45,500	91,000
1-1/2	9	5-5/16	± 5/32	1-7/8	11-1/4	6-11/16	± 3/16	1738	65,500	131,000
1-5/8	9-3/4	5-13/16	± 5/32	1-7/8	11-1/4	6-11/16	± 3/16	2027	76,500	153,000
1-3/4	10-1/2	6-1/4	± 3/16	2-1/8	12-3/4	7-7/16	± 1/4	2345	86,500	173,000
1-7/8	11-1/4	6-11/16	± 3/16	2-1/8	12-3/4	7-7/16	± 1/4	2685	100,000	200,000

USCG -E/GICP-245

U.S.N. STOCKLESS ANCHORS



NOM. MASS	ACTUAL MASS OF ANCHOR		OUTLINE DIMENSIONS					ANCHOR TEST LOAD
	KG	LBS.	A	B	C	D	E	
			MILLIMETERS					
50	100	45						
100	200	90						
150	300	136	1015	852	642	635	348	5243
200	400	181	1117	938	706	699	383	6132
250	500	226	1203	1010	767	753	413	6994
300	600	272	1278	1073	808	800	439	7833
350	700	317						
400	800	362	1407	1182	890	880	483	9512
450	900	408						
500	1000	453	1515	1273	958	948	520	11203
550	1100	498						
600	1200	544	1611	1353	1019	1008	553	12864
650	1300	589	1654	1389	1046	1035	568	13703
700	1400	635						
750	1500	680	1735	1457	1097	1086	596	15336
800	1600	725						
850	1700	771						
900	1800	816	1844	1548	1166	1154	633	17690
950	1900	861						
1000	2000	907	1908	1602	1207	1195	655	19255
1100	2200	997	1971	1655	1247	1234	677	20743
1250	2500	1134	2057	1727	1301	1287	706	22980
1500	3000	1360	2496	2140	1413	1397	775	26515
1750	3500	1587	2301	1932	1456	1440	790	30040
2000	4000	1814	2406	2020	1522	1506	826	33440
2500	5000	2268	2592	2176	1639	1622	890	39630
3000	6000	2721	2754	2313	1742	1724	946	45250
3500	7000	3175	2899	2435	1834	1815	995	50550
4000	8000	3628	3031	2545	1917	1897	1041	55260
4500	9000	4082	3153	2647	1994	1973	1082	59640
5000	10000	4536	3265	2742	2065	2044	1121	63880
5500	11000	4989	3371	2831	2132	2110	1157	67630
6000	12000	5443	3470	2914	2195	2172	1191	71030
6500	13000	5896	3564	2993	2254	2231	1224	74430
7250	14500	6577	3689	3098	2333	2313	1267	78970
7500	15000	6804	3741	3142	2320	2340	1284	
8000	16000	7257	3819	3207	2416	2390	1311	83230
9000	18000	8164	3972	3335	2512	2486	1364	88320
10000	20000	9072	4114	3454	2602	2575	1412	92860
11250	22500	10206	4274	3589	2703	2678	1467	98430
12500	25000	11340	4432	3722	2803	2774	1522	105280
15000	30000	13608	4708	3954	2978	2948	1617	114670
17500	35000	15876	4956	4162	3135	3103	1702	122430
20000	40000	18144	5183	4353	3279	3245	1780	128950
22500	45000	20412	5391	4527	3410	3375	1851	134450



DCL MOORING & RIGGING

4400 North Galvez Street, New Orleans, LA 70117, U.S.A.

Tel: +1-504-944-3366 • Toll Free: 1-800-228-7660 • Fax: +1-504-947-8557

Email: sales@dcl-usa.com

www.dcl-usa.com