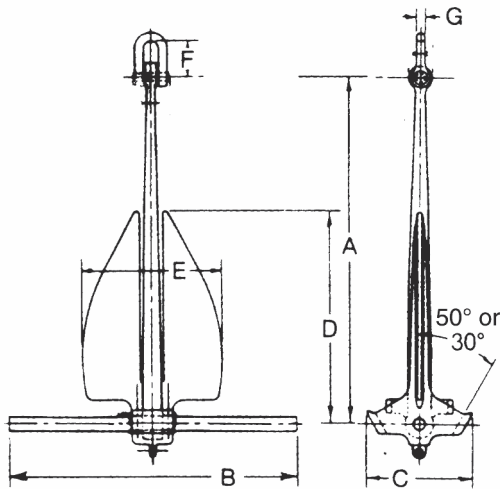


LISTER CHAIN & FORGE, INC.

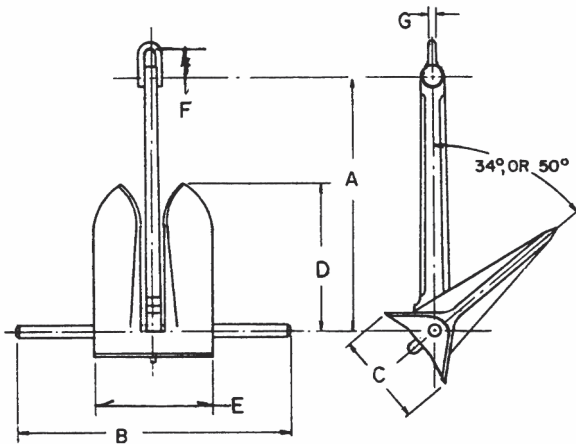
HIGH HOLDING POWER ANCHORS



SNUG STOWING ANCHOR

Weight	A	B	C	D	E	F	G	Proof
200	30-7/8	29-3/4	12	20-1/8	16-1/4	5-1/2	1	10,000
300	35-3/8	34	13-3/4	23	18-1/2	5-1/2	1	13,000
500	41-3/4	40-1/4	16-3/8	27-1/4	21-7/8	7	1-1/4	18,100
1,000	52-3/4	50-3/4	20-5/8	34-3/8	27-5/8	7-1/2	1-1/2	30,000
5,000	90-3/8	86-3/4	35-1/4	58-3/4	47-1/4	15	3	107,000
10,000	113-3/4	109-1/4	44-1/2	74	59-1/2	17	3-1/2	165,600
15,000	130	125	50-3/4	84-5/8	68	19	4	213,700
20,000	143-1/4	137-5/8	56	93-1/4	75	22	4-1/2	249,600
40,000	180	173	70	117	94	26	5-1/2	386,400

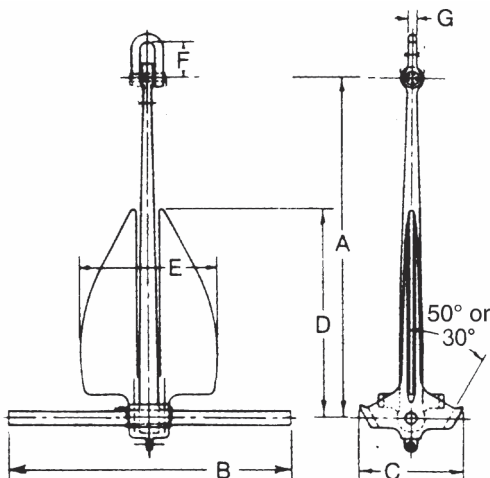
All dimensions are in inches. All weights are in pounds.



MOORFAST ANCHOR

Weight	A	B	C	D	E	F	G	Proof
1,000	61	75	19	37	25	9-3/4	2	30,000
3,000	88	109	27	54	37	15	3	72,500
8,000	122	153	38	75	51	17	3-1/2	145,600
10,000	131	157	41	80	55	19	4	165,600
14,000	147	177	45	90	61	19	4	205,000
16,000	153	187	48	94	64	22	4-1/2	222,900
20,000	164	196	51	102	69	22	4-1/2	249,600
30,000	187	217	59	118	79	24	5	320,000
40,000	214	248	63	127	86	26	5-1/2	386,400

All dimensions are in inches. All weights are in pounds.



U.S.N. LIGHT WEIGHT TYPE ANCHOR

Weight	A	B	C	D	E	F	G	Proof
200	47-1/2	45	14-1/4	29	18-7/8	5-1/2	1	10,000
500	61-1/2	58-1/2	19	37-1/2	24	7-1/2	1-1/2	18,100
1,000	75	71	24-1/2	46	29-1/4	9-3/4	2	30,000
5,000	118	112	38-3/4	72	44-3/4	17	3-1/2	107,000
10,000	144	137	49	88	55-1/4	22	4-1/2	165,600
15,000	157	149	53-5/8	96	61-7/8	24	5	213,700
20,000	173	164	59	106	68	25	5-1/2	249,600
30,000	198	189	67-1/2	121	78	29	5-1/2	319,400
40,000	218	240	75	131	86	32	6	386,400

All dimensions are in inches. All weights are in pounds.

Specify if a swivel shackle is required in lieu of standard shackle.



DCL MOORING & RIGGING

4400 North Galvez Street, New Orleans, LA 70117, U.S.A.

Tel: +1-504-944-3366 • Toll Free: 1-800-228-7660 • Fax: +1-504-947-8557

Email: sales@dcl-usa.com

www.dcl-usa.com